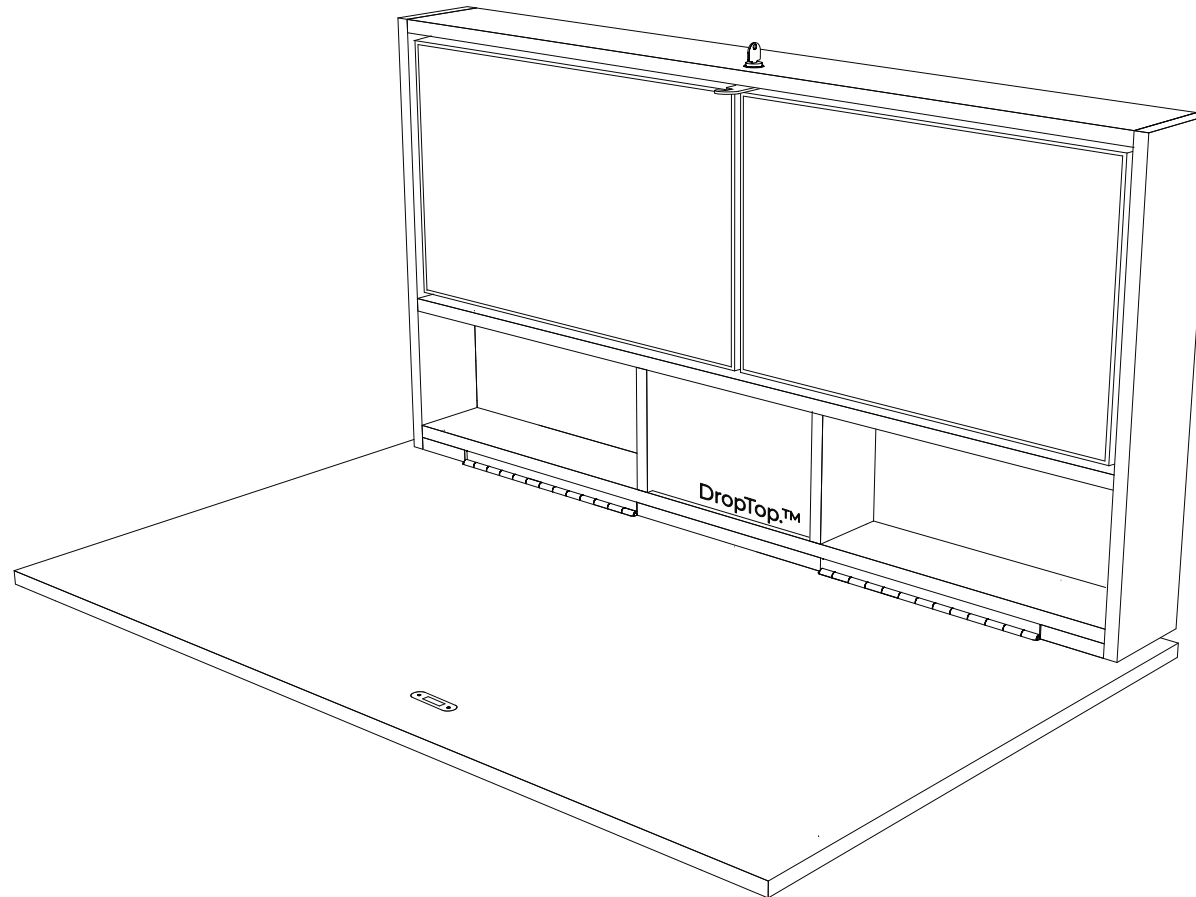


DropTop™ Duo 24 Classic



Installation Instructions.

DropTop™ Duo 24 Classic

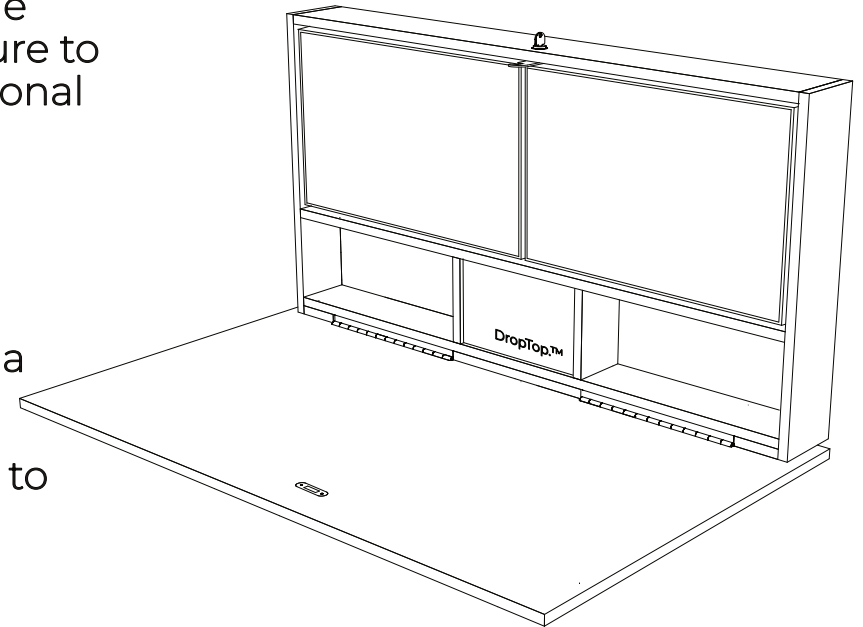
Installation Guidelines

Please read and follow these instructions carefully to ensure the correct installation of your DropTop™ wall-mounted desk. Failure to adhere to the instructions may result in product damage, personal injury, or voiding of the product warranty.

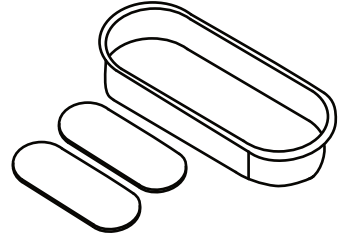
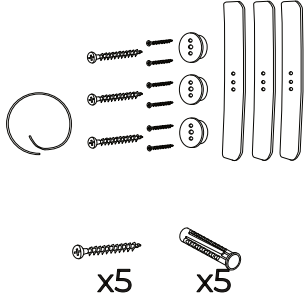

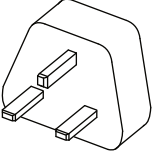
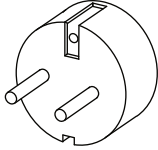
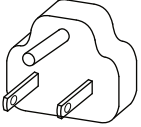
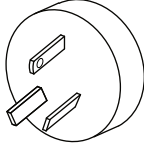
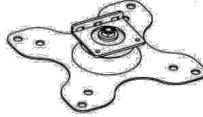
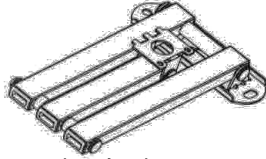



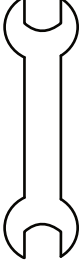
Before You Begin:

- Remove the contents from the package and place them on a protective surface to prevent damage.
- Compare the package contents with the Supplied Parts List to ensure all components are intact and undamaged.
- Thoroughly read and review all instructions provided in your DropTop™ Installation guide before beginning assembly.

If you encounter any issues or have questions during the assembly process, please contact our customer support team for assistance.

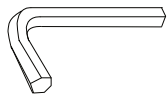


Fixings Packs

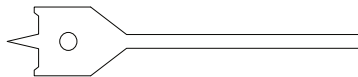
<p>A Plasterboard Wall Fixings</p>	<p>B Brick/Concrete Wall Fixings</p>	 <p>Cable Management Grommet</p>
 <p>x5 x5</p>	 <p>x8 x8</p>	
<p>Power cable supplied with your DropTop will vary based on your order.</p>  UK PLUG  EU Schuko PLUG  USA PLUG  AU / NZ PLUG		 2 x VESA Plate  2 x Articulating Arms  E-M4 Screws (4)  4 x M6 Bolt  D-M4 Screws (4) 

Tools

*included

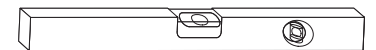
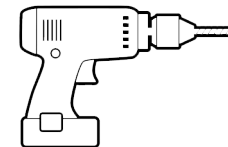
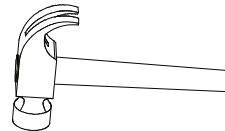
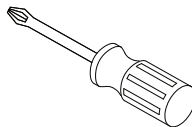


1 x 4mm Allen Key

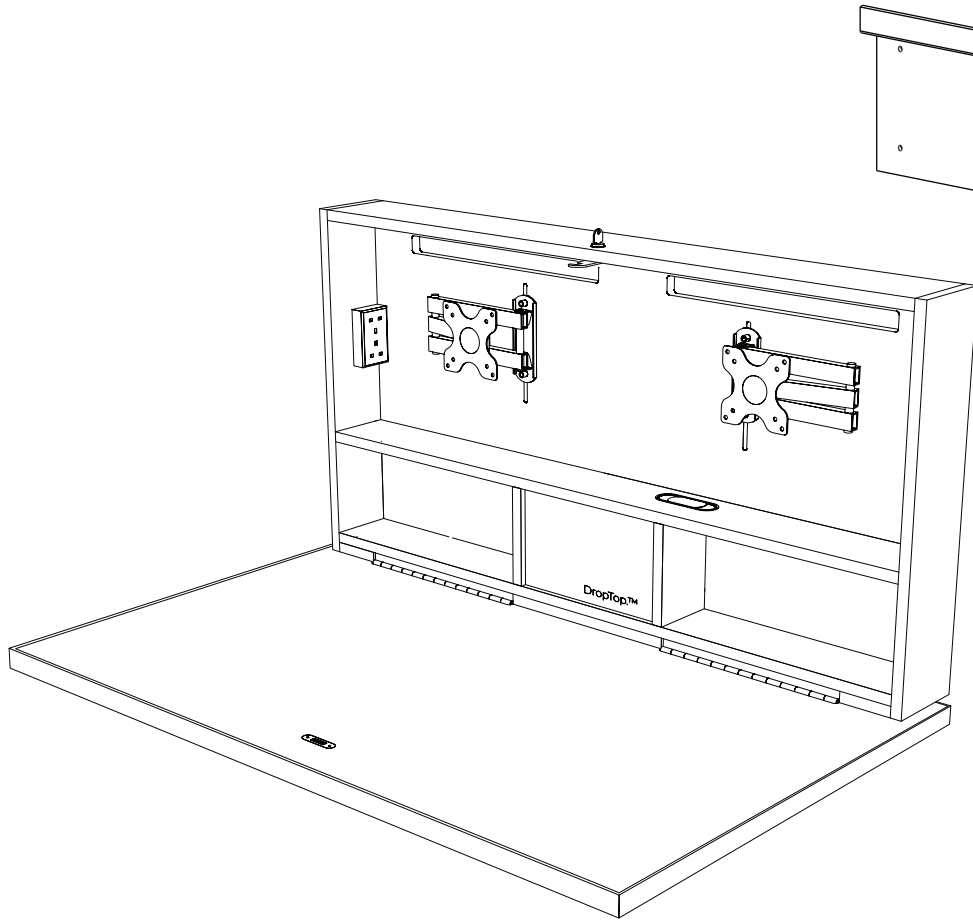


1 x 25mm Spade bit.
For a Plasterboard Wall

*Not included

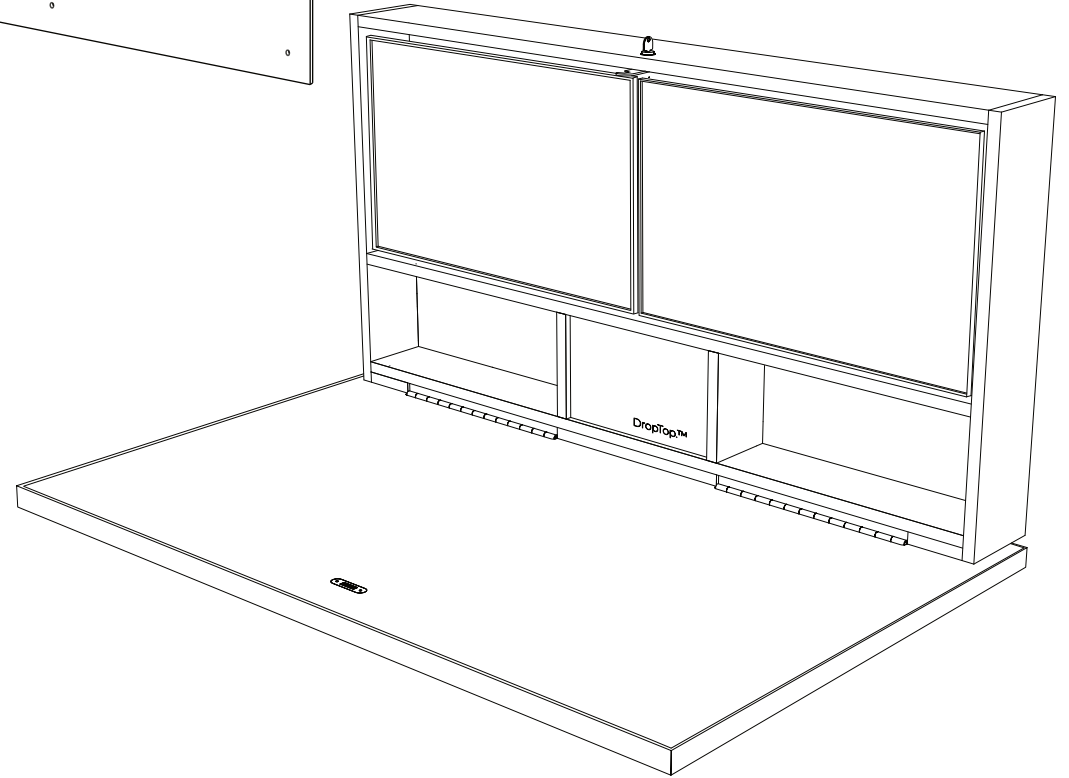


DropTop™ Duo 24.



No Monitor

Compatible Monitors Size:
Dual 24-inch Monitor



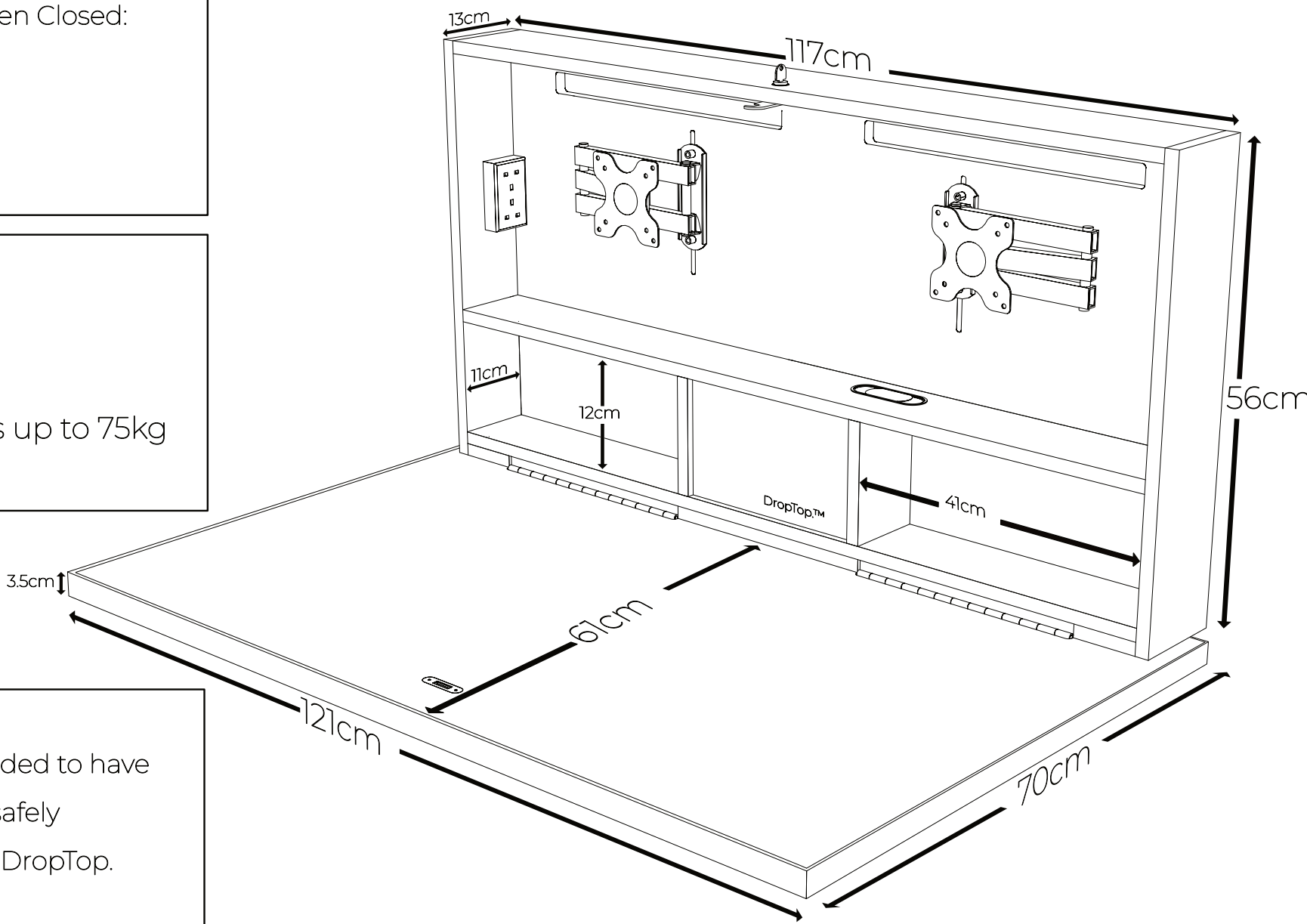
Integrated Monitor
Dual 24-inch Monitors

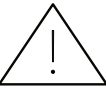
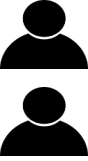
DropTop™ Duo 24 dimensions.

Exterior dimensions when Closed:
Height: 70cm
Width: 121cm
Depth: 16.5cm

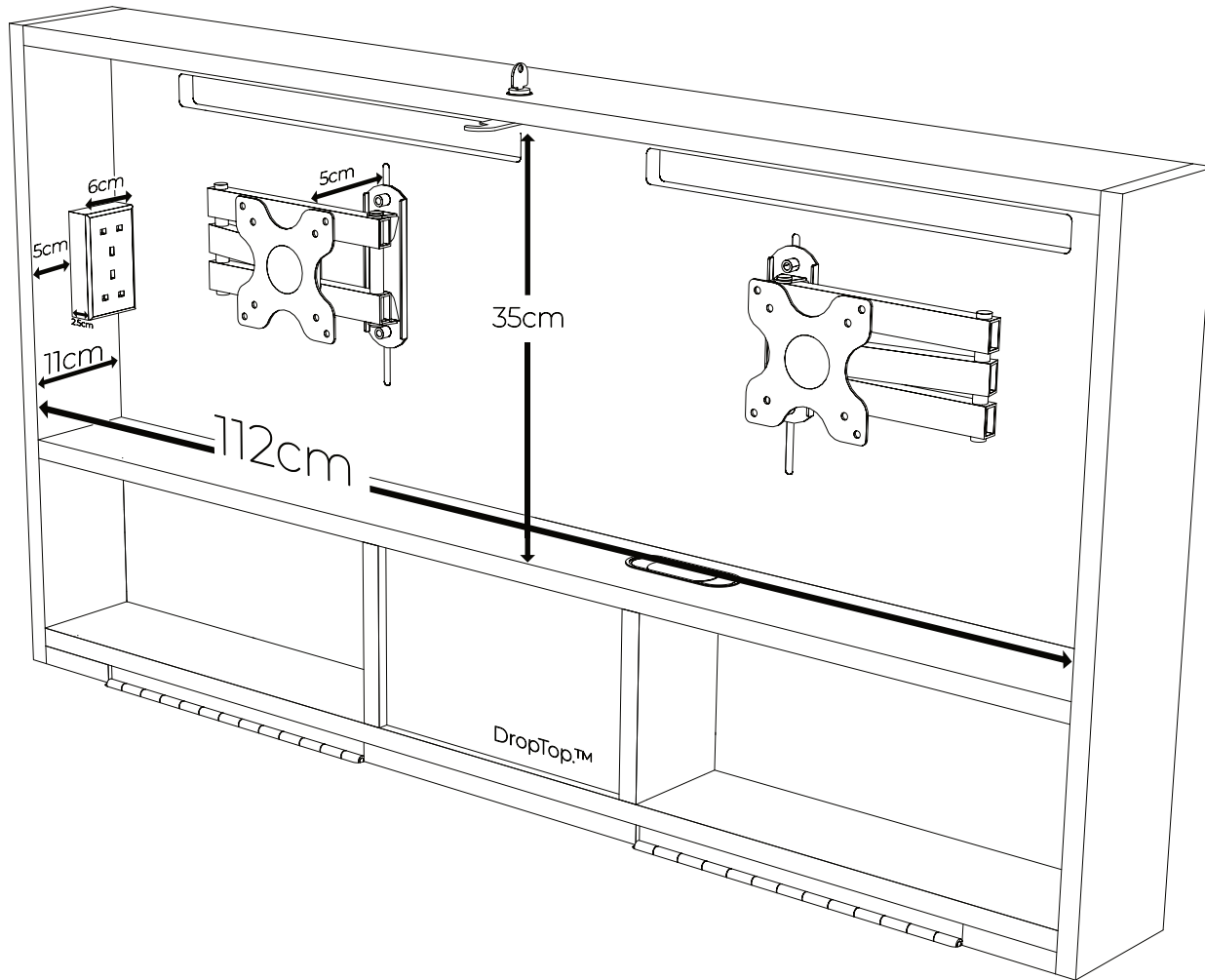
Worktop Dimensions:
Width: 121cm
Depth: 61cm

The Duo 24 supports up to 75kg
in weight



 Weight - 55kg
 It is recommended to have two people for safely mounting your DropTop.

DropTop™ Duo 24 Monitor space dimensions.



The Duo 24 is designed to house Dual 24-inch Monitors.

Available Monitor Space dimensions:

Height: 35cm

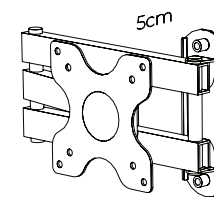
Width: 112cm

Depth: 6 cm



Recommended maximum depth for your monitor is 6cm

In choosing a monitor for your DropTop Duo 24, it is important to consider both the depth of your monitor and the depth of the mount bracket to ensure that they do not exceed 11cm in total depth.

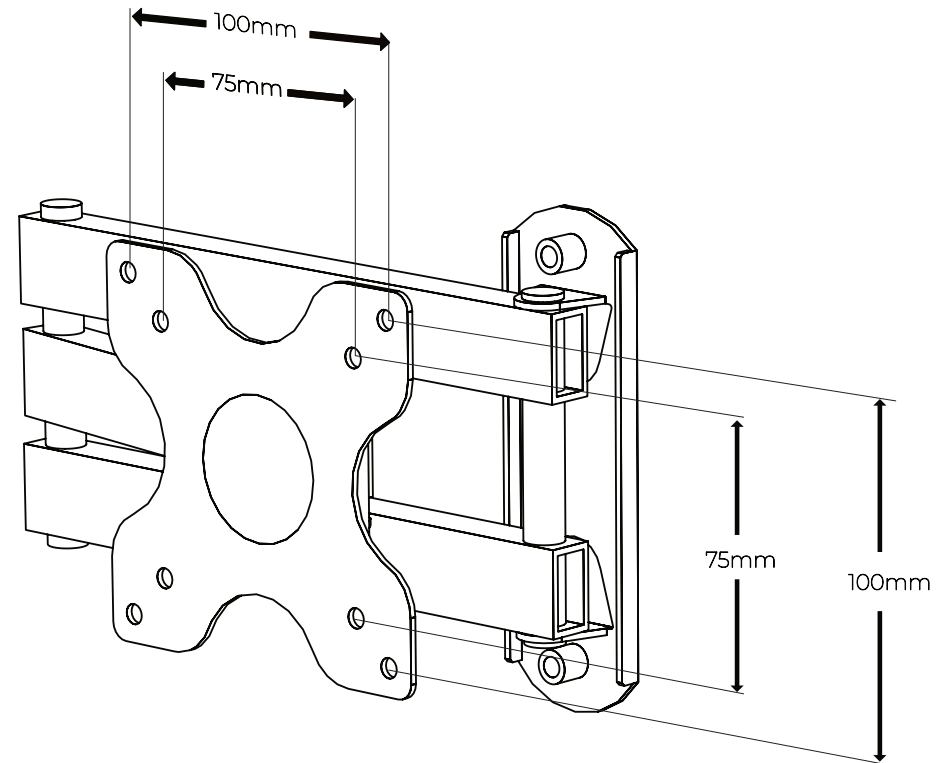
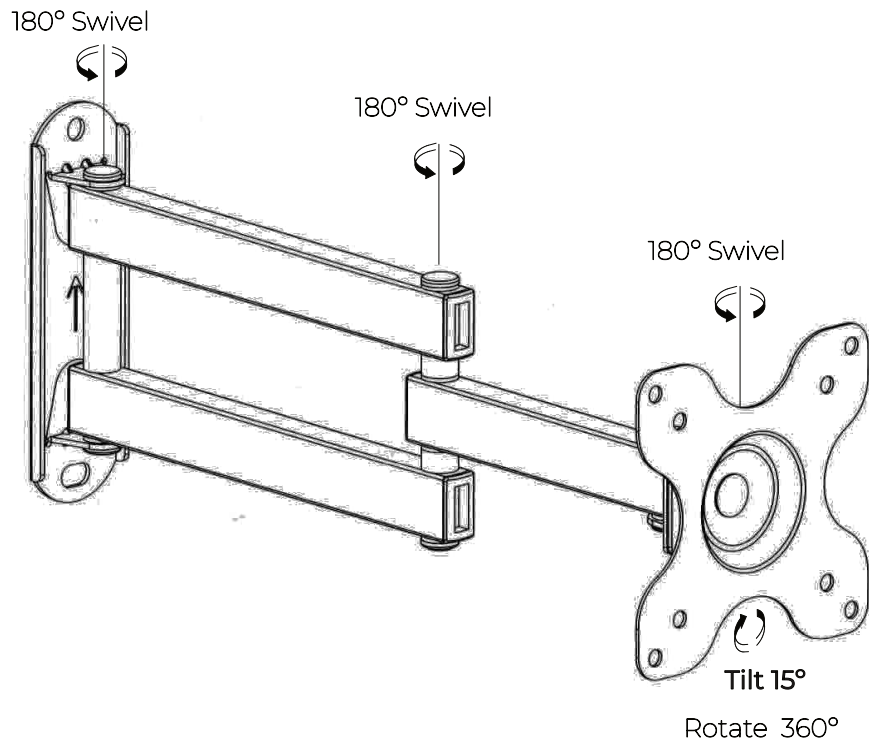


Mount Bracket Depth

Depth: 5cm

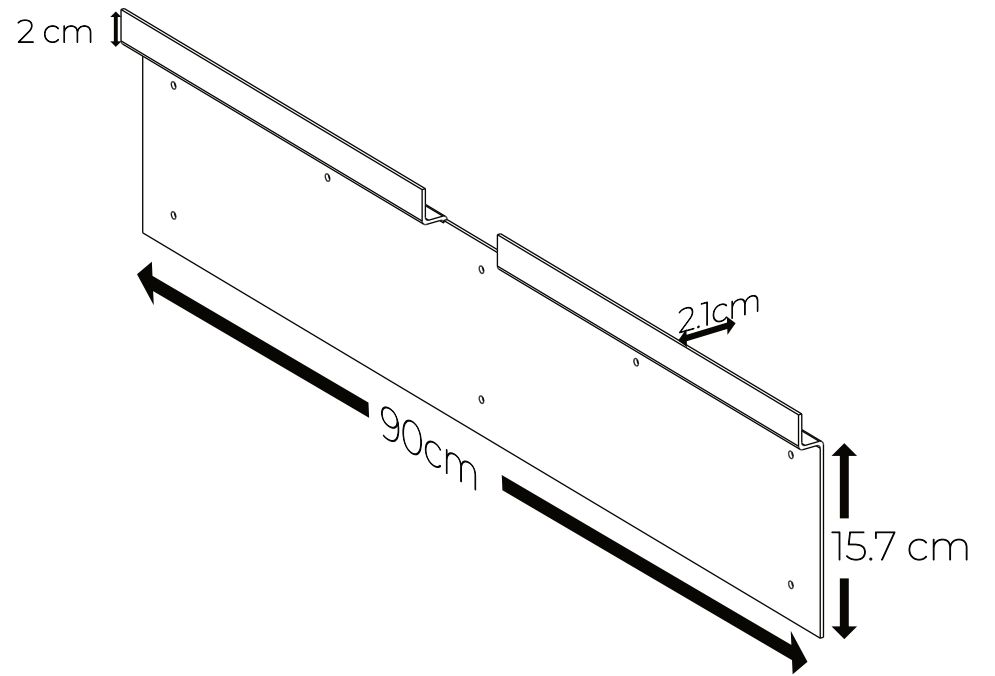
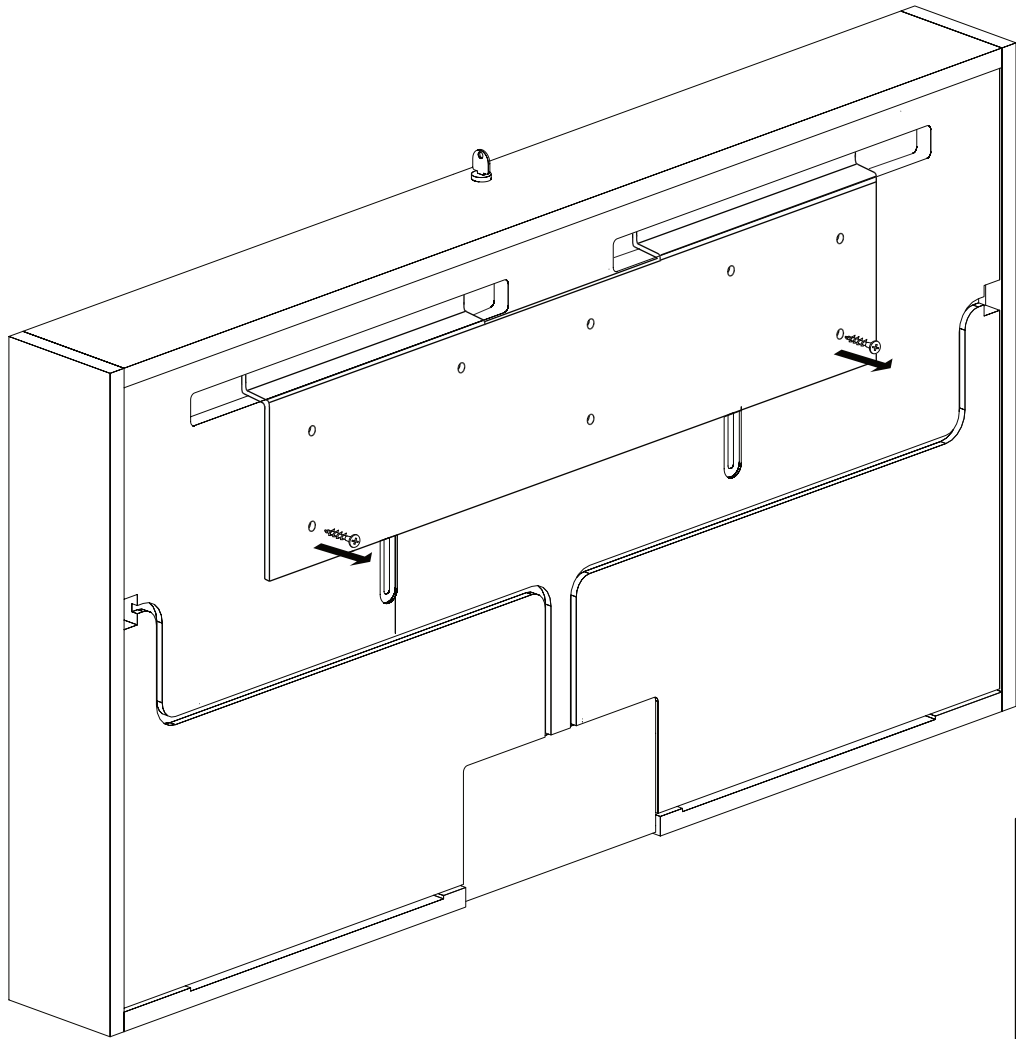
Extendable Arm Monitor Mount

Two extendable monitor mounts are included with your DropTop Duo 24, providing tilt, swivel, and rotation functionality.



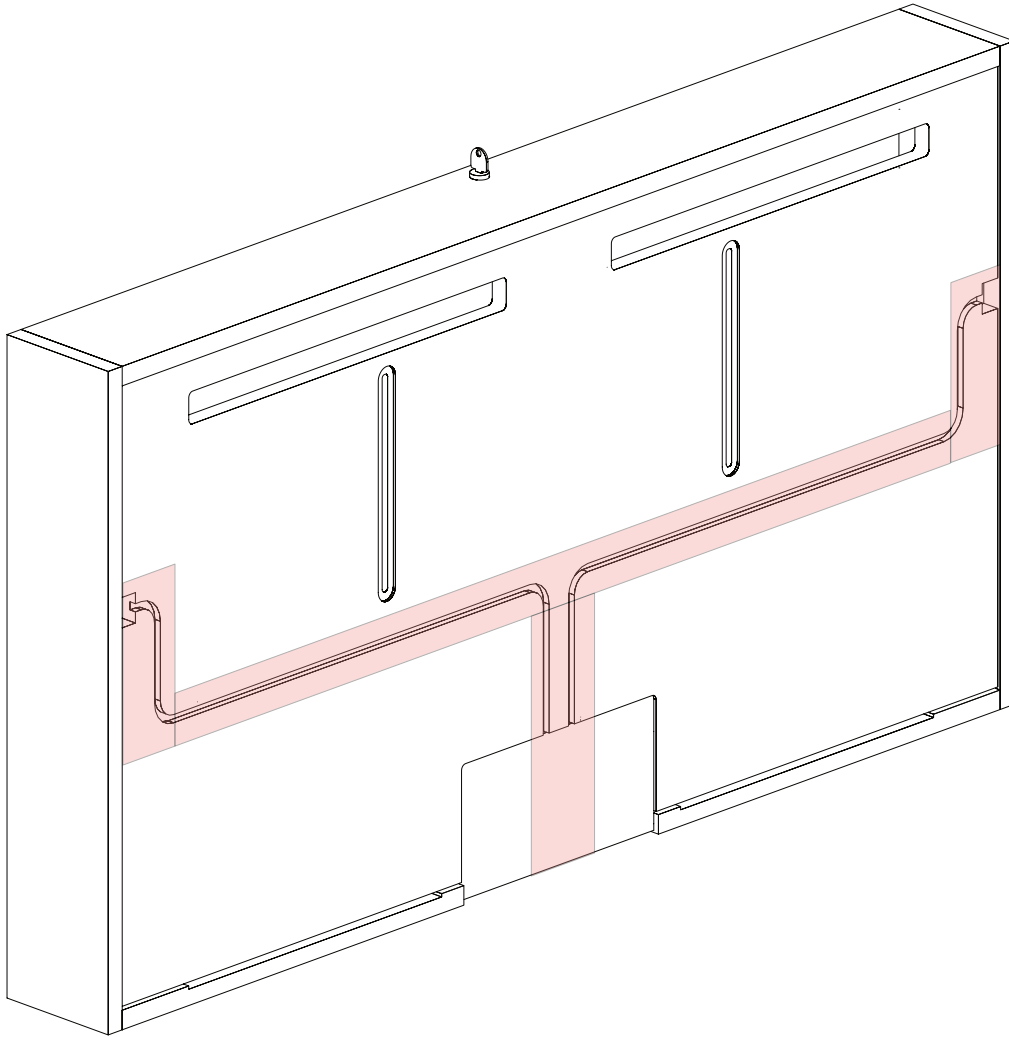
Ensure your monitor is VESA compatible with 75x75mm or 100x100mm.

DropTop™ Duo 24 Wall Plate.



The Wall Plate is temporarily secured to the back of the DropTop for secure transit. Remove the two securing screws to detach it from the DropTop.

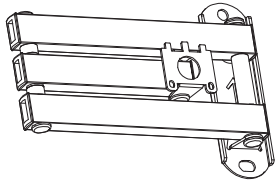
DropTop Electrical Wiring



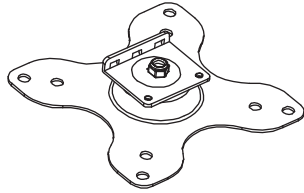
Electrical wiring is embedded into the back of your desk. Take care not to drill or damage any embedded wires while installing your desk.

Installing your own monitor

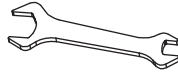
1



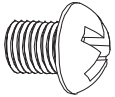
Articulating Arms(2)



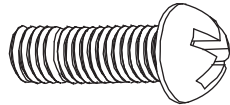
VESA Plate(2)



A-Wrench(1)



E-Screws(2)



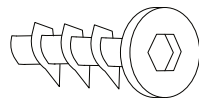
D- M4 x12 Screws (4)



L-Cable Tie(3)

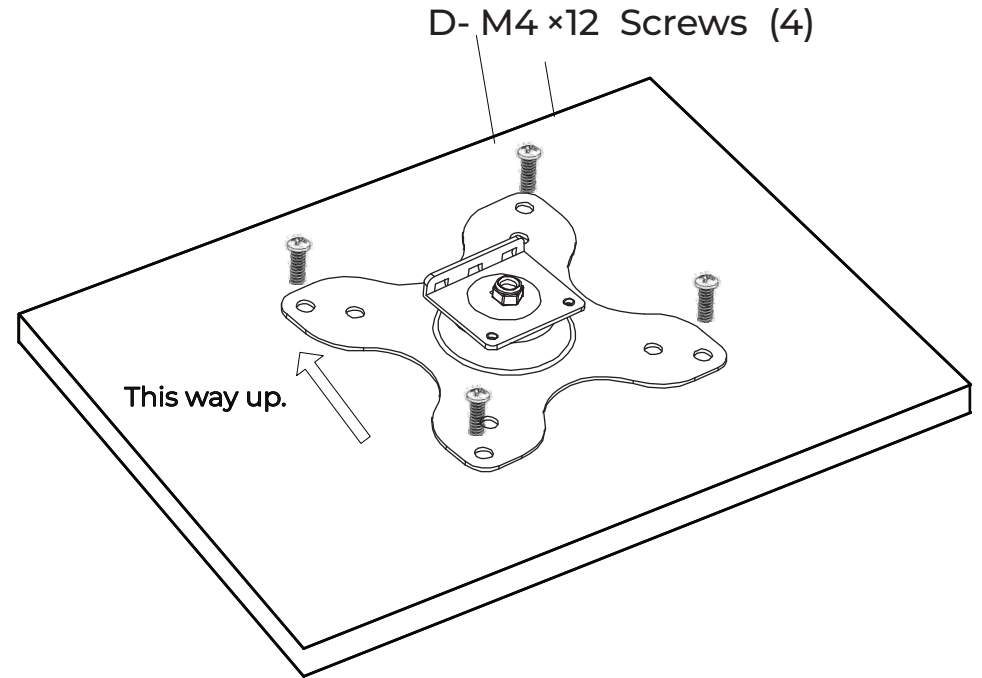


Allen Key(1)



2 x M6 Bolt

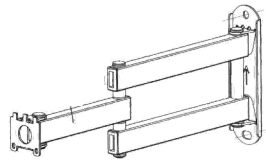
2



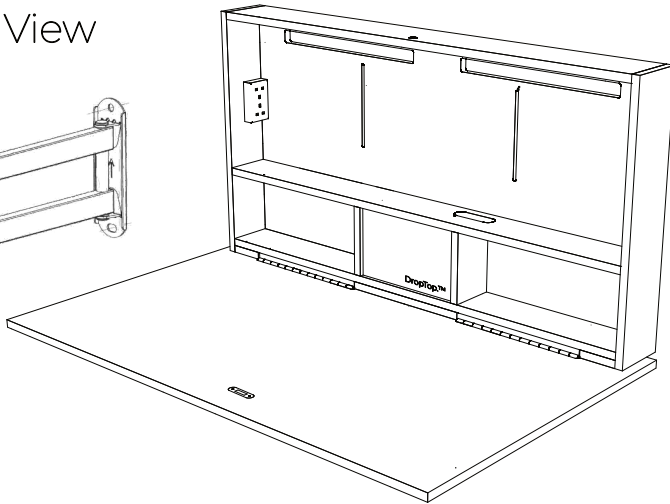
Carefully place your monitors face down on a clean, flat surface. Attach the VESA Plate to the back of your monitor using the screws provided from pack D.

3

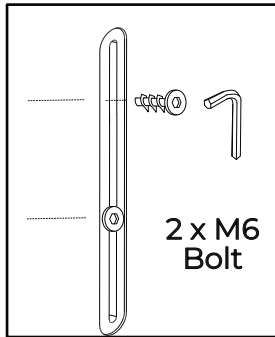
Front View



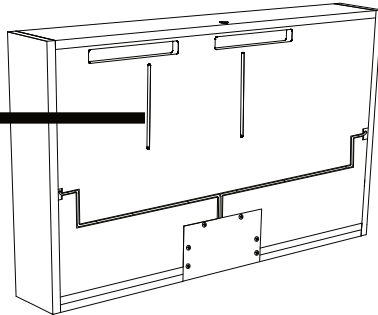
Articulating Arms



Back View



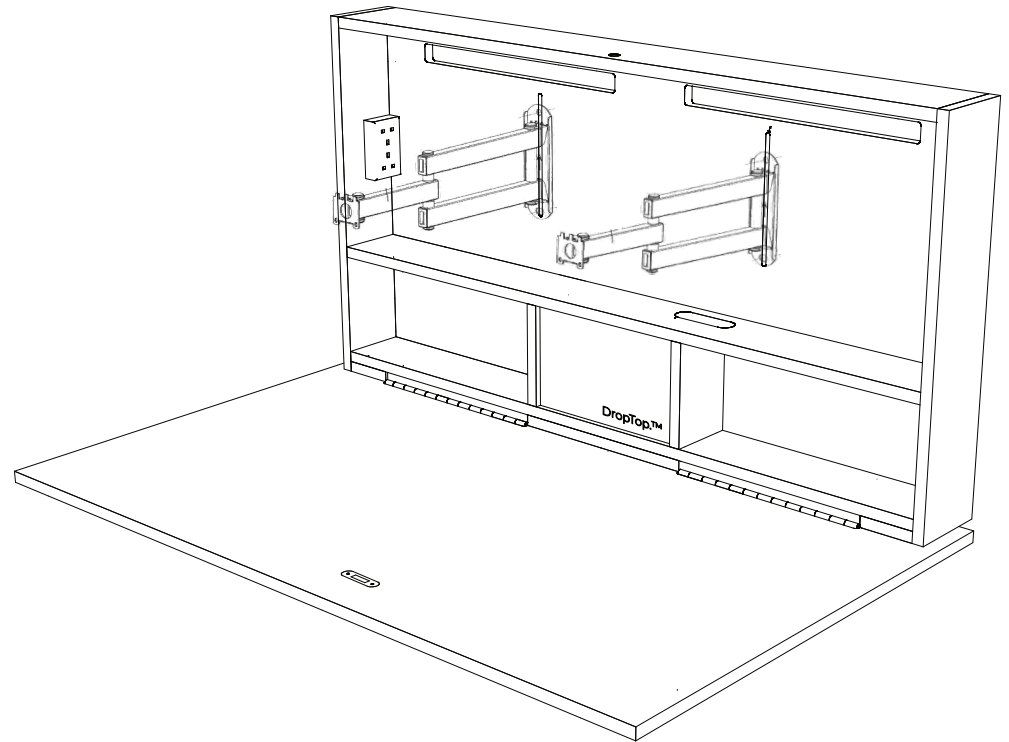
2 x M6 Bolt



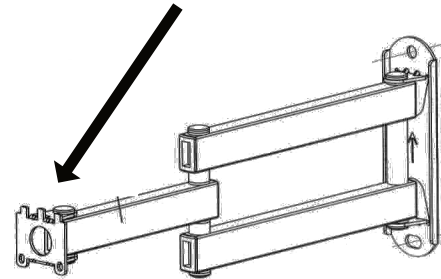
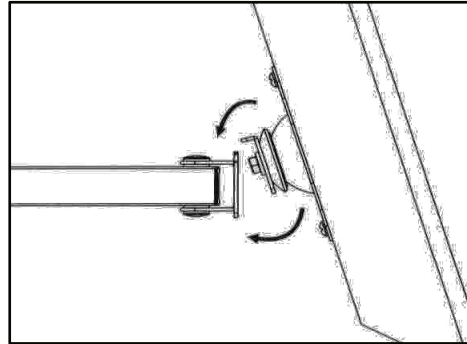
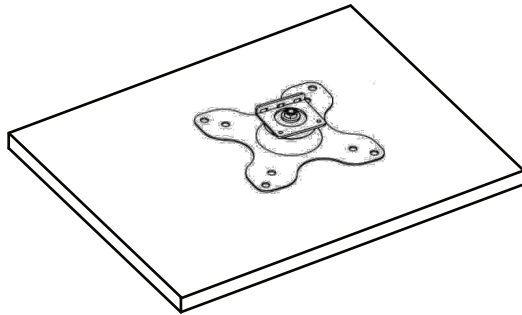
Attach the Wall Plate & Articulating Arms-A to the VESA slot on the back of the DropTop, using the 2 x M6 bolts provided.

4

Fully extend the articulating arms out.



5

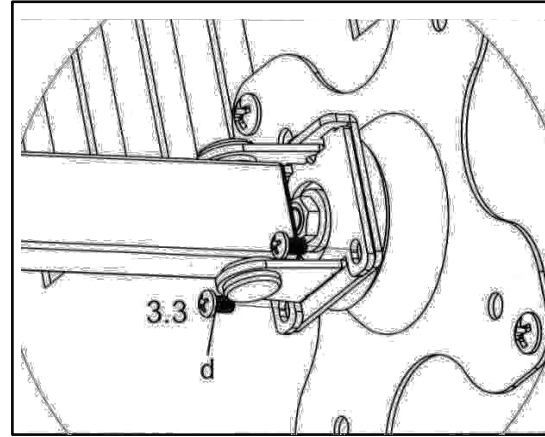


Hook the VESA Plate-b to the Socket on the fully extended arms.

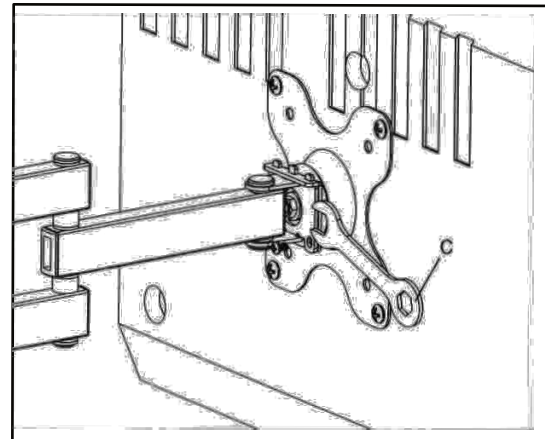
6



2 x M4 Bolt - d

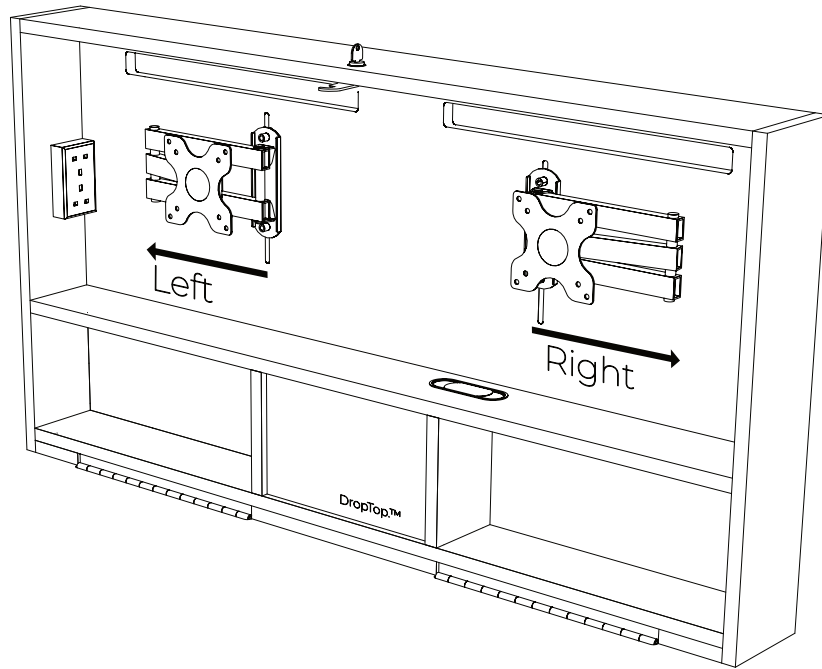


Secure the VESA Plate-b to the articulating arm using the 2x M4 Bolt-d provided.



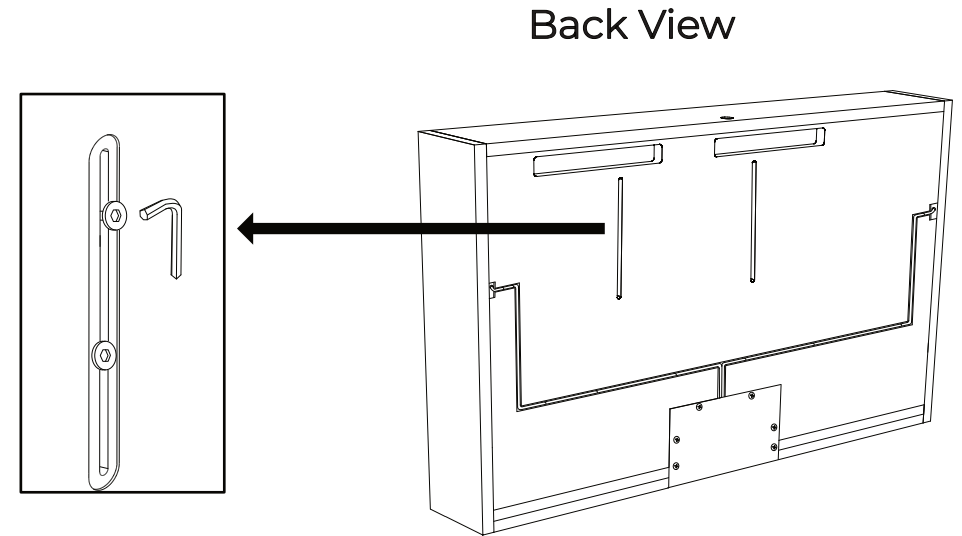
Use the wrench provided to adjust the tilting angle of the VESA Plate-b.

7



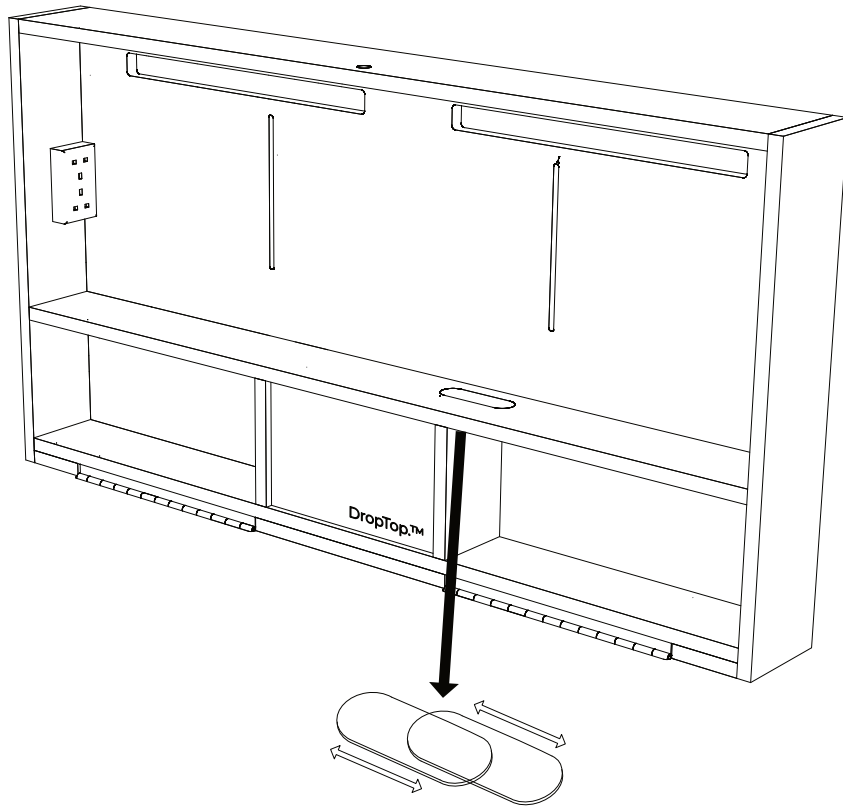
The mount brackets should be positioned as indicated in the diagram to ensure proper and mounting of the monitors.

8

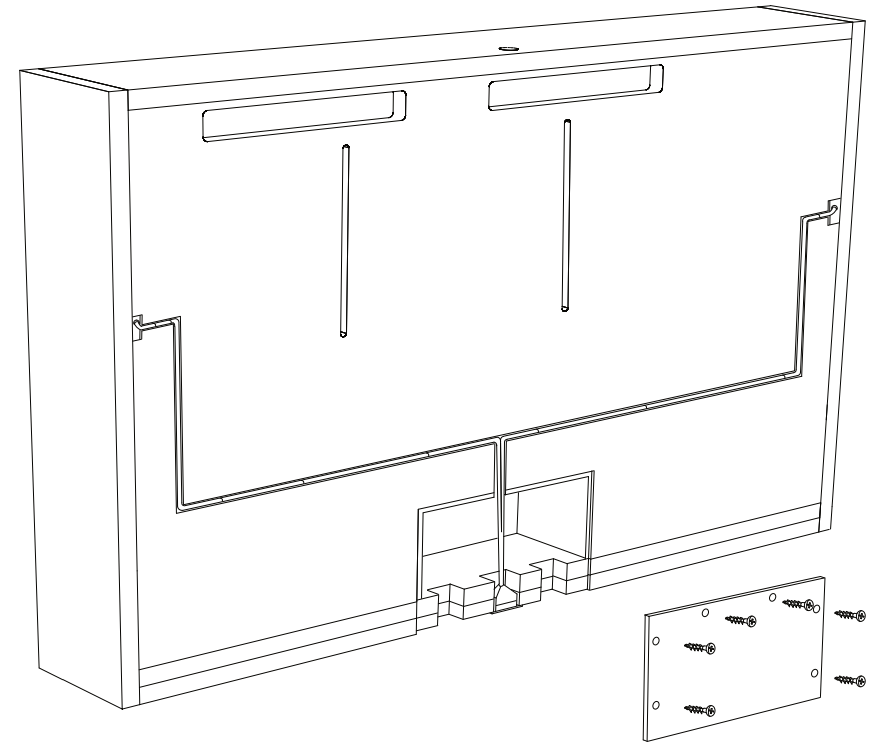


To adjust the height of the mount along the VESA slot, slightly loosen the M6 bolts on the back, then reposition the mount to the desired height and tighten the bolts again.

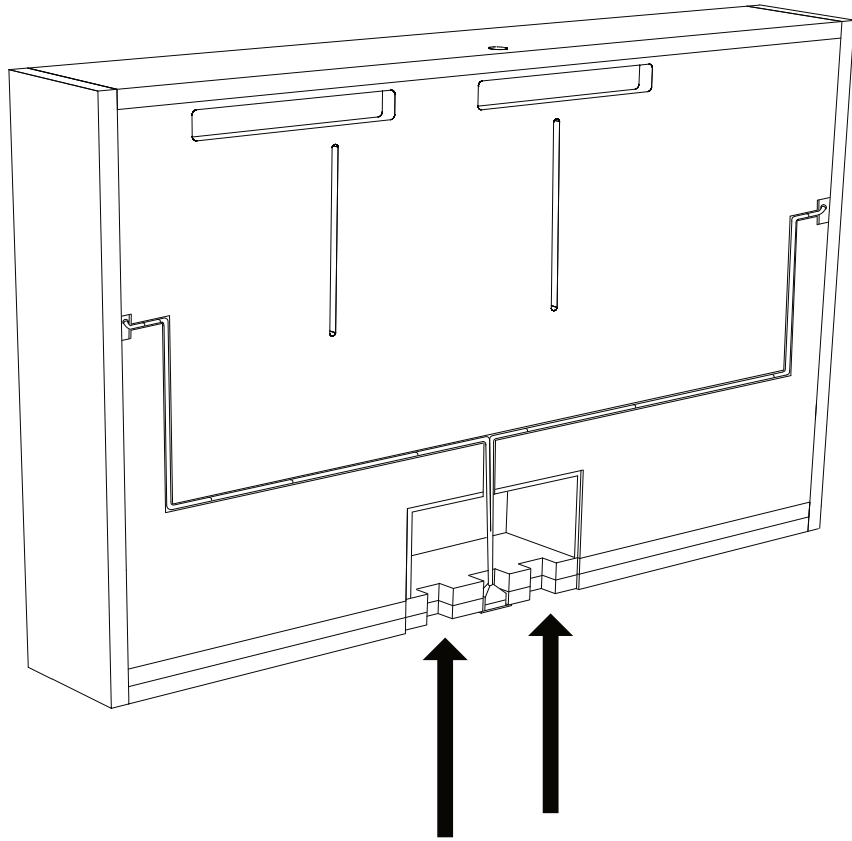
Cable Management



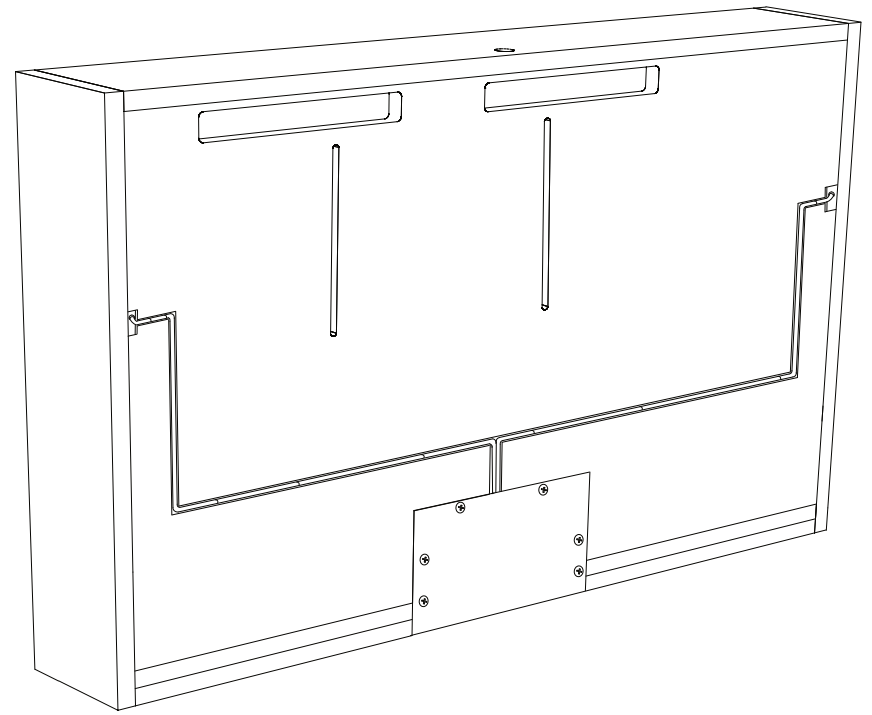
Before mounting your DropTop onto the wall, connect any cables to your monitor and feed them through the oval cable management grommet to keep them tidy.



The central shelf housing contains the electrical cable that powers your DropTop.
To access it, remove the screws from the wood cover.

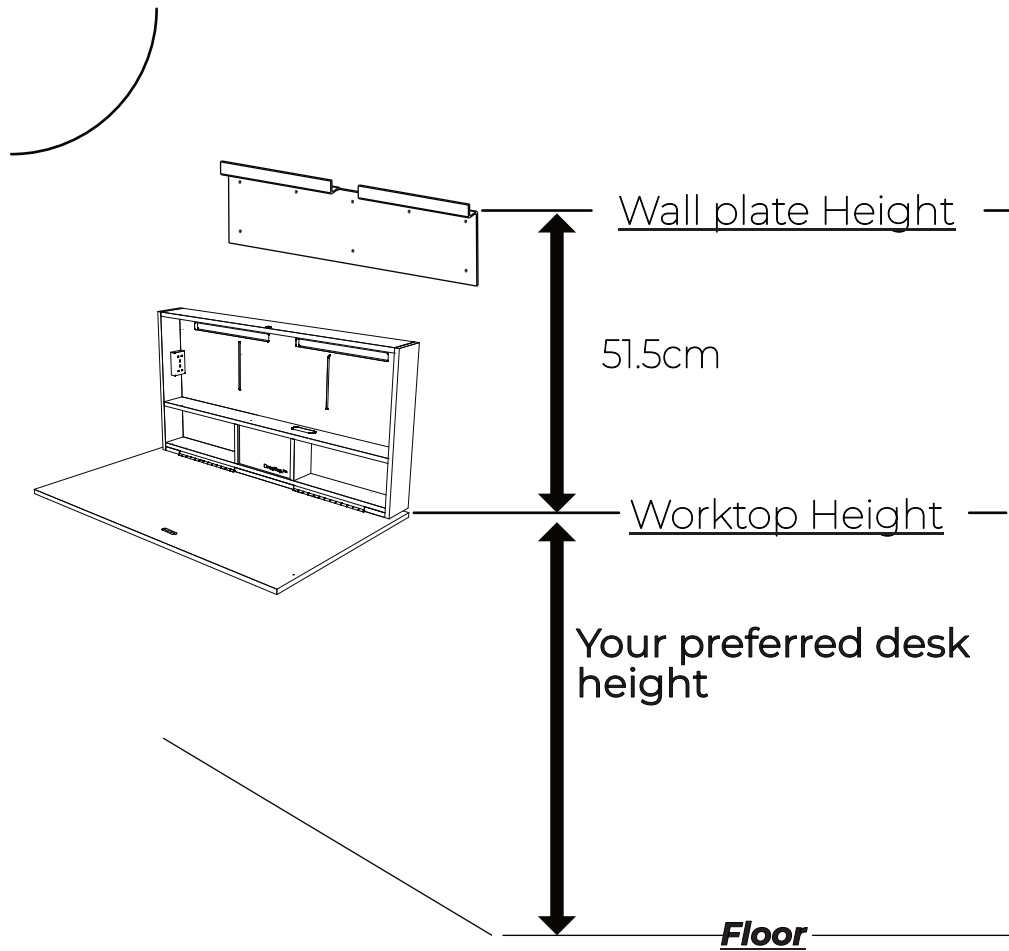


The central shelf housing can be used to hide extra cables or pass through a wired Ethernet cable, if needed.



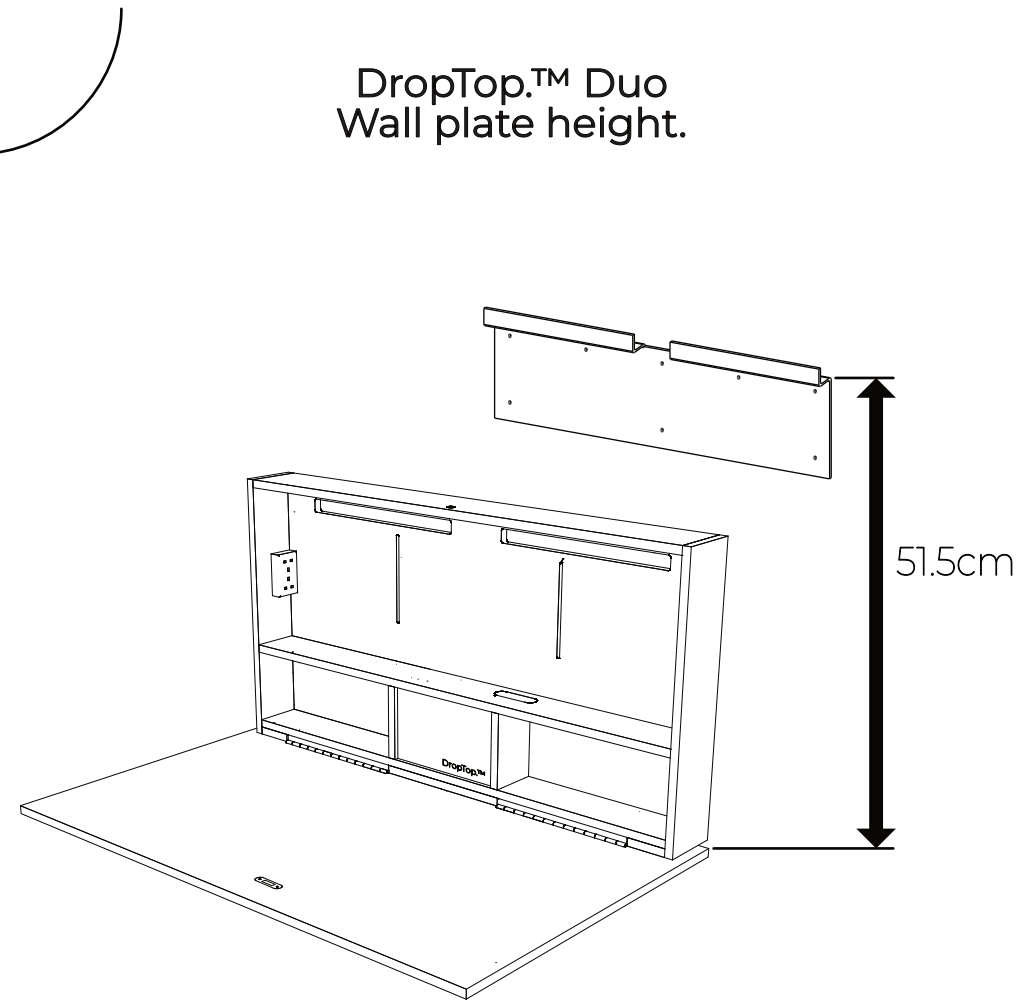
To re-attach the wood cover, screw in the screws.

Mounting the Wall plate.



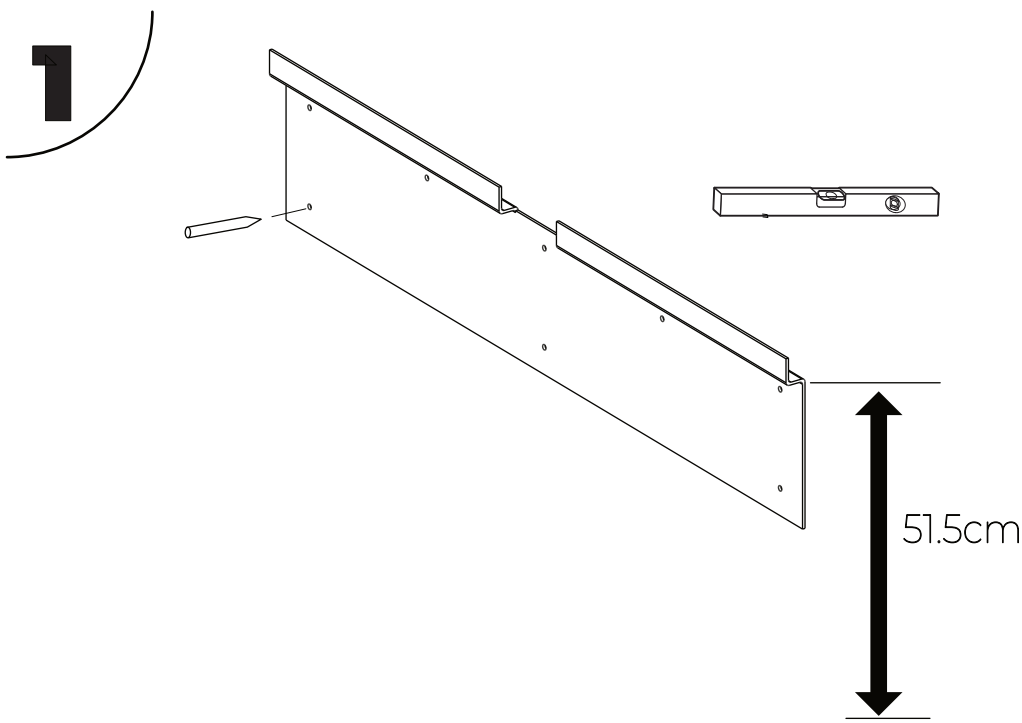
Your DropTop™ desk can be installed at any height that best suits your needs and preferences.

Depending on your preferred sitting position, you can install your DropTop™ on the wall between 65cm and 80cm.



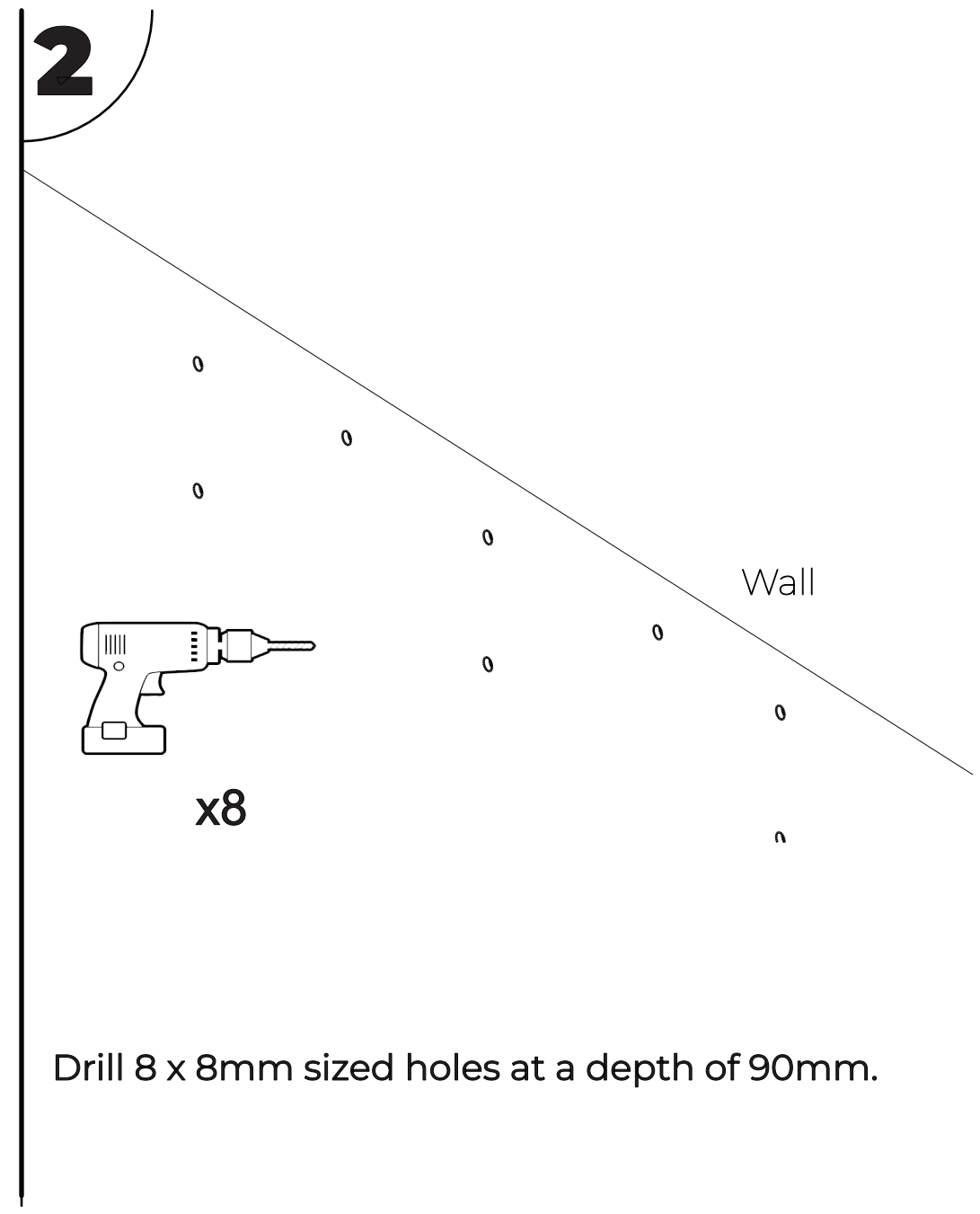
The height to install the wall plate should be measured from the top of the desired desk height to the top of the recessed area of the wall plate.

Installing on a brick and concrete wall.



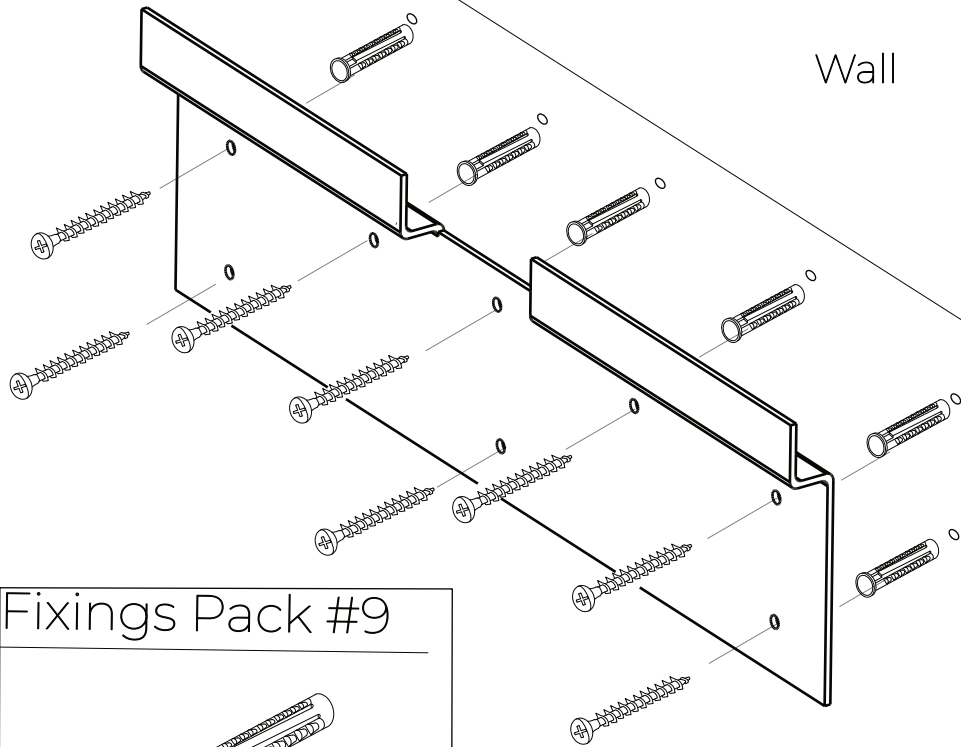
Use the wall plate as a guide and mark the position of the fixing holes with a pencil.

The height to install the wall plate should be measured from the top of the desired desk height to the top of the recessed area of the wall plate as previously explained.

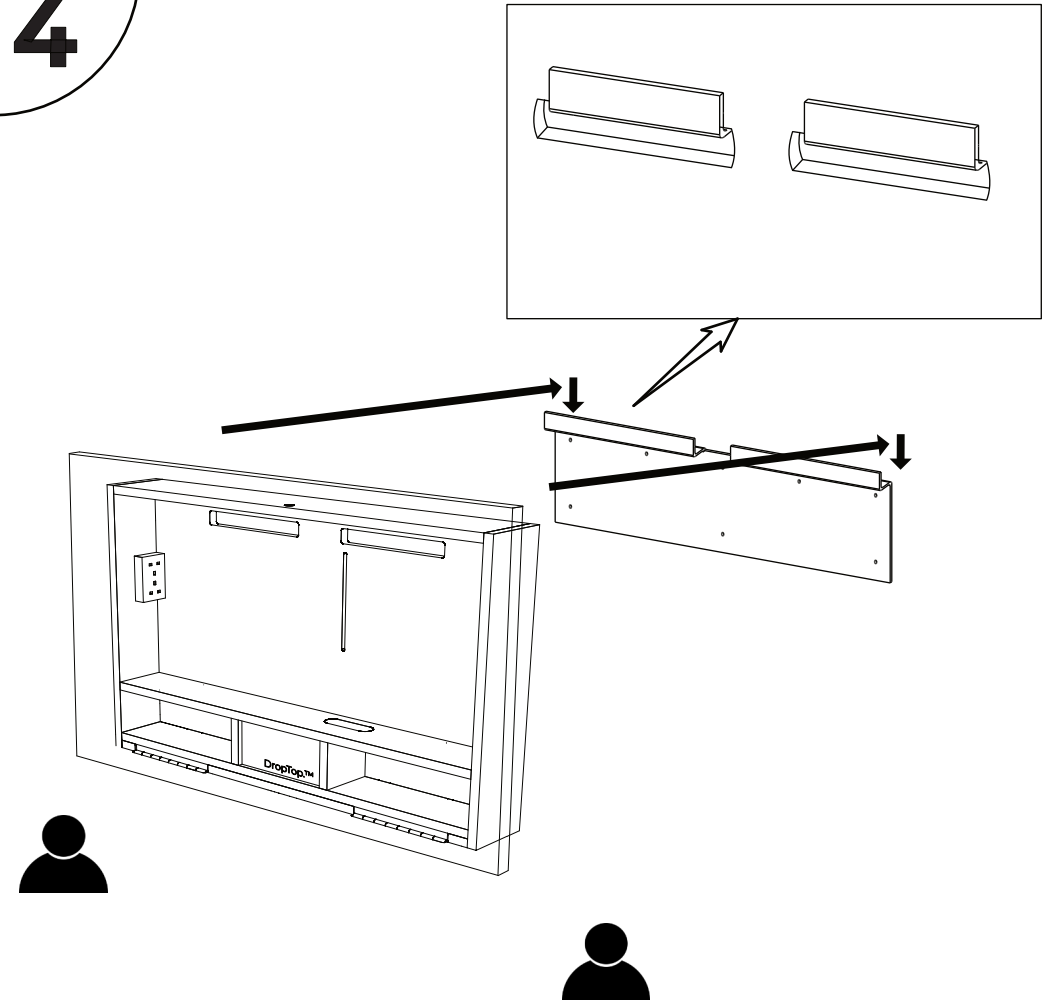


Drill 8 x 8mm sized holes at a depth of 90mm.

3

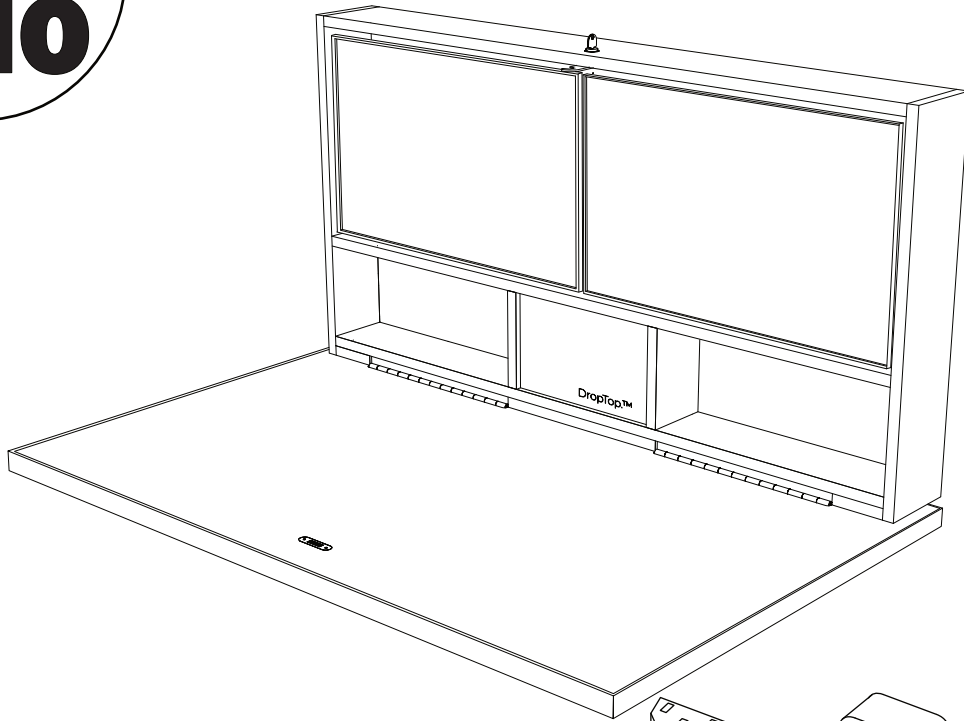


4

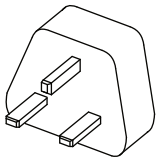
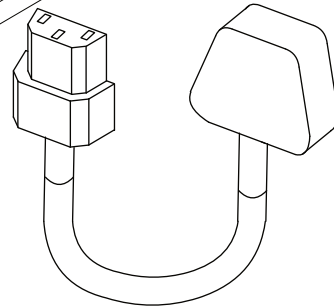


To safely mount the desk, ensure that the DropTop.™ is locked before lifting it onto the wall plate. The DropTop.™ should fit snugly in the recess of the wall plate.

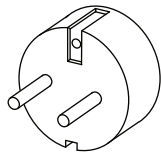
10



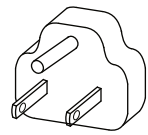
The detachable power cable is connected to the base of your desk.



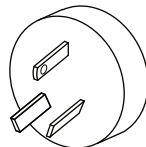
UK PLUG



EU PLUG

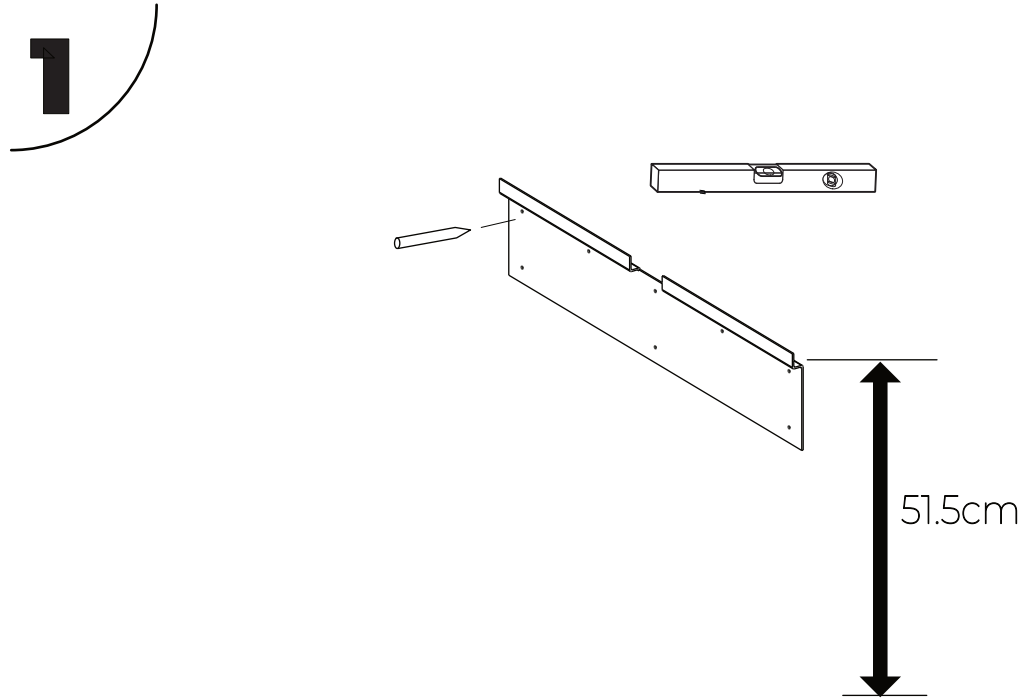


USA PLUG



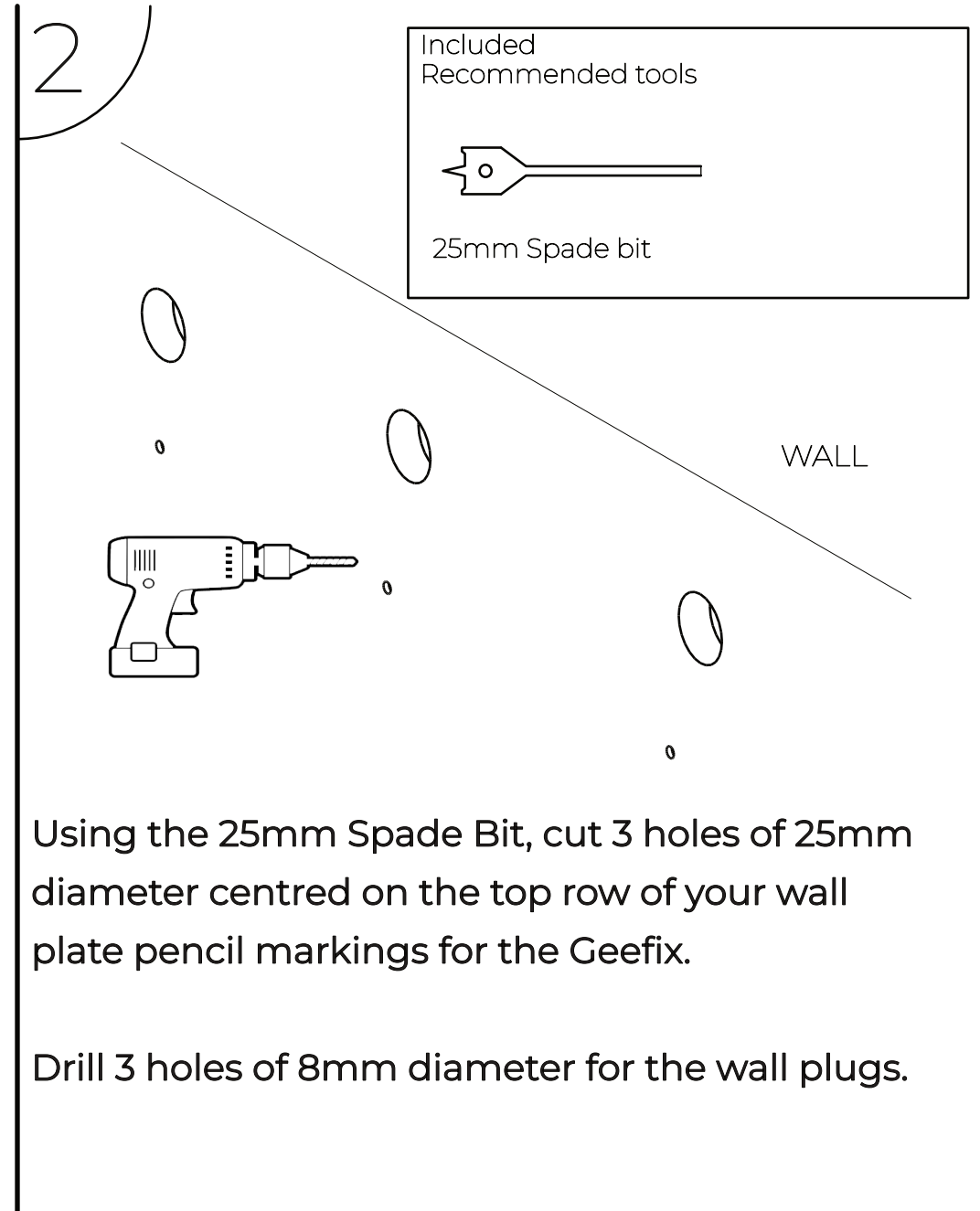
AU / NZ PLUG

Installing on Plasterboard/Drywall.



Use the wall plate as a guide and mark the position of the fixing holes with a pencil.

The height to install the wall plate should be measured from the top of the desired desk height to the top of the recessed area of the wall plate as previously explained.

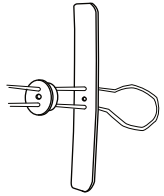


Using the 25mm Spade Bit, cut 3 holes of 25mm diameter centred on the top row of your wall plate pencil markings for the Geefix.

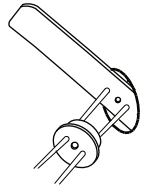
Drill 3 holes of 8mm diameter for the wall plugs.

3

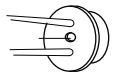
GeeFix Fixings



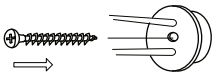
Assemble your GeeFix wall anchor system by threading the supplied pullcord through the round wall plug, the curved back plate, and back through the wall plug.



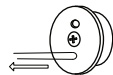
While holding onto the pullcord, feed the curved back plate into the hole and centre on the 1" hole.



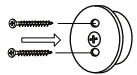
While keeping light tension on the pullcord slide the wall plug into the 1" hole to align with the holes on the back plate.



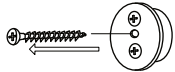
While keeping firm tension on the pullcord, screw the large screw into the centre hole until the GeeFix becomes firm, but do not over tighten. Keeping tension on the pullcord will keep the back plate in place during installation.



Pull out the pullcord but do not discard. You can use the same pullcord on additional GeeFix.

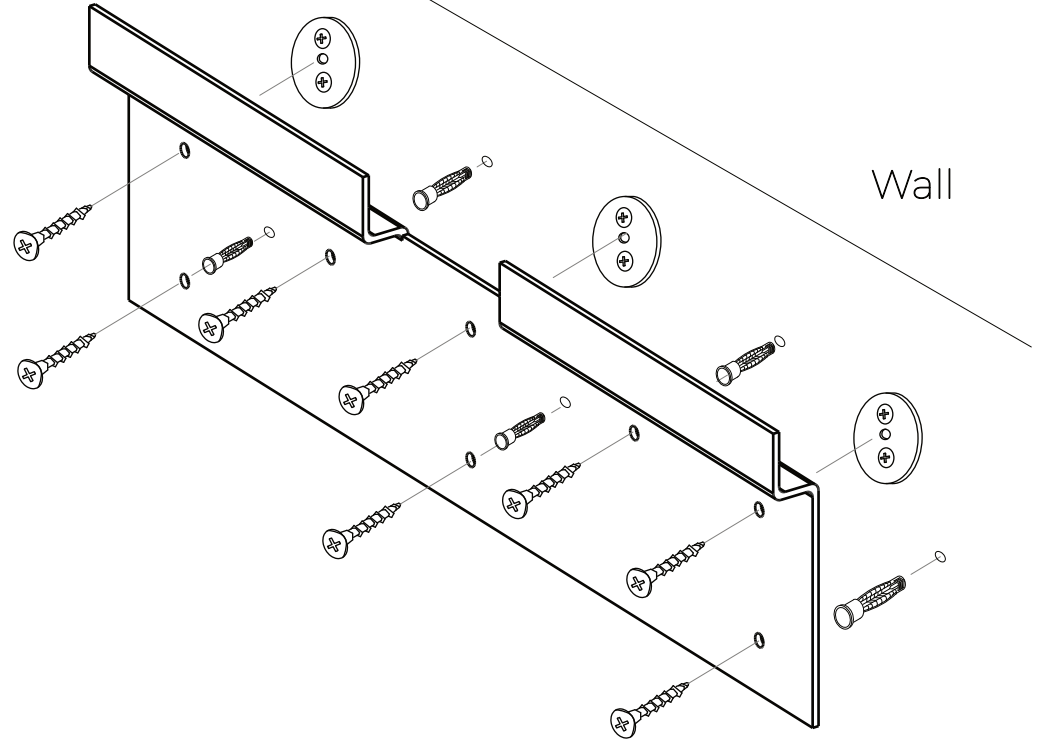


Screw in the 2 smaller screws on either side of the large screw and tighten until the GeeFix is firmly secured but do not over tighten.

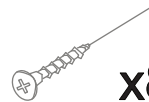


Remove the centre screw

4



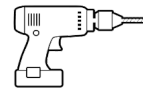
Fixings Pack #10



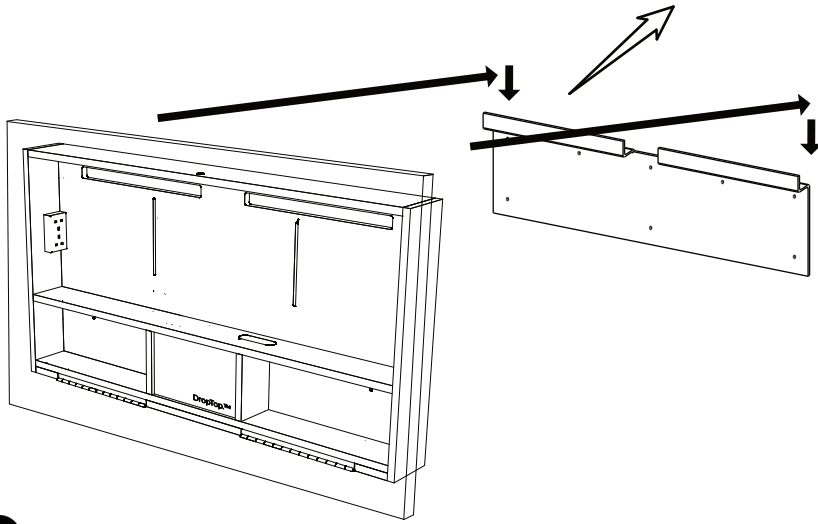
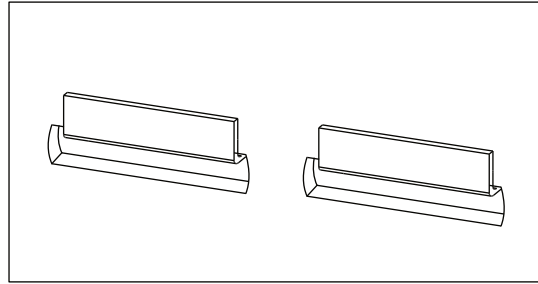
x8



x5

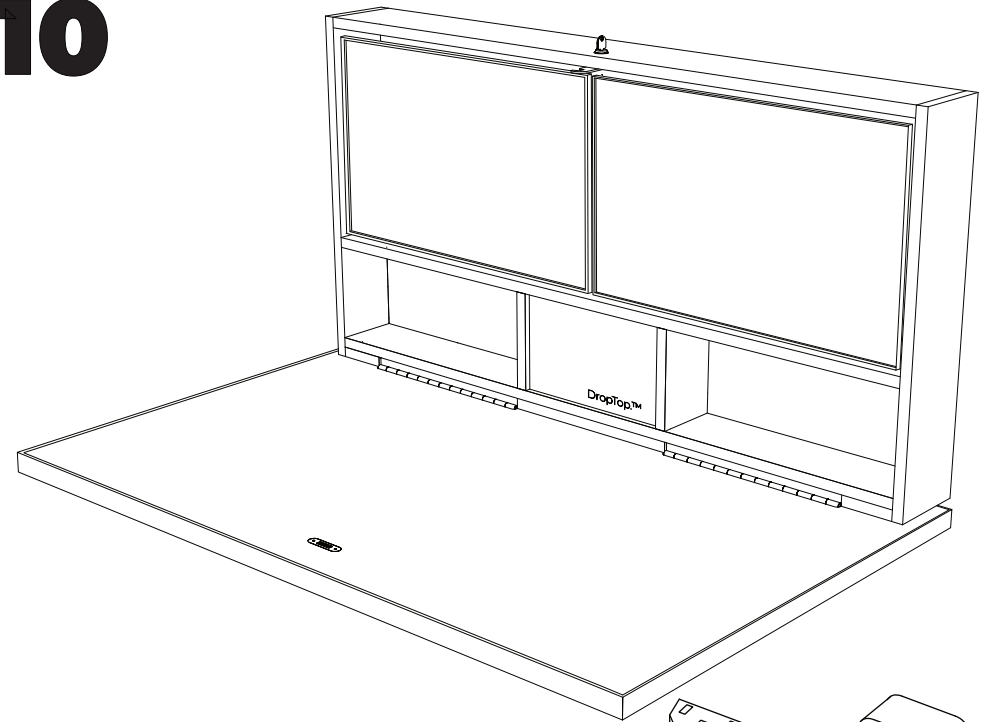


5

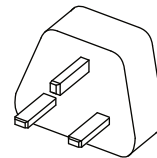
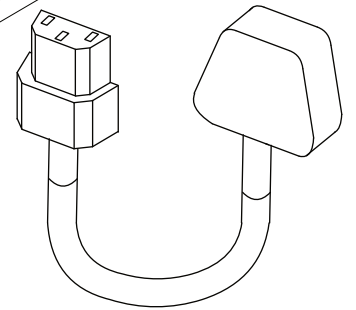


To safely mount the desk, make sure that the DropTop is locked before lifting it onto the wall plate.

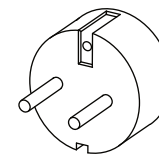
10



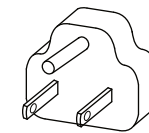
The detachable power cable is connected to the base of your desk.



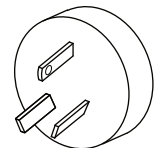
UK PLUG



EU PLUG



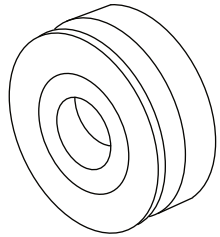
USA PLUG



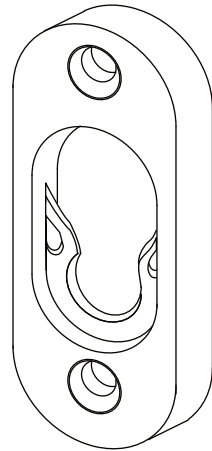
AU / NZ PLUG

DropTop Artwork

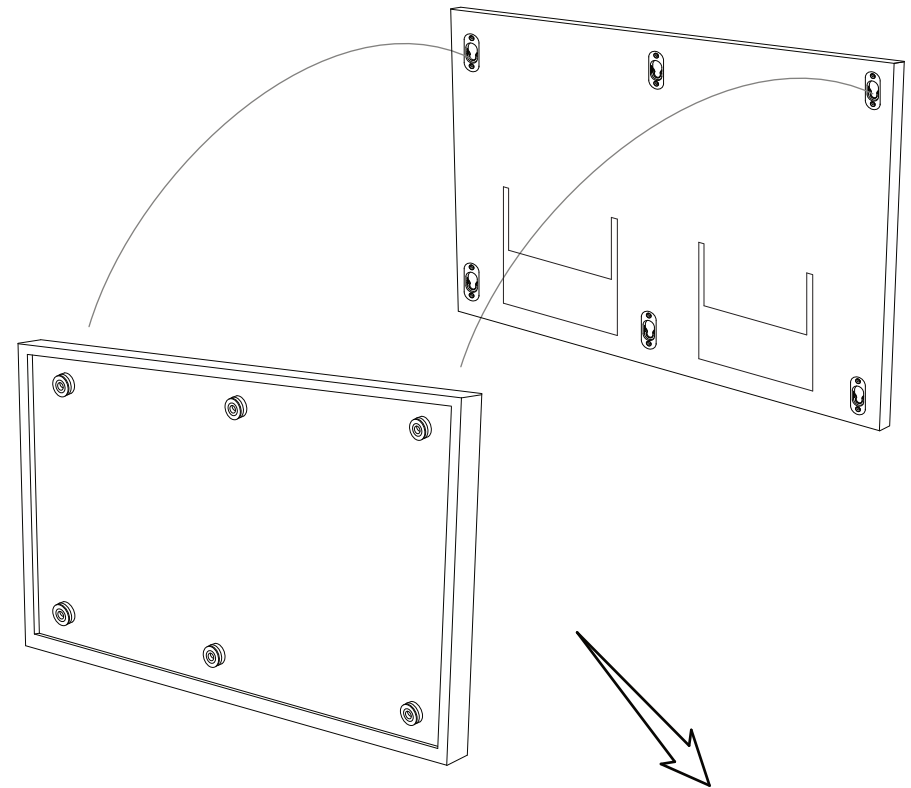
The Artwork is attached to the DropTop using green buttons that fit into the black oval securing clips embedded in the worktop.



Green buttons are attached to the back of the artwork.

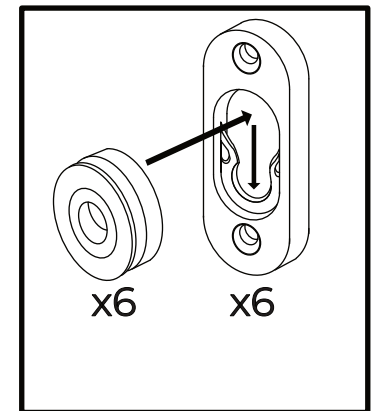


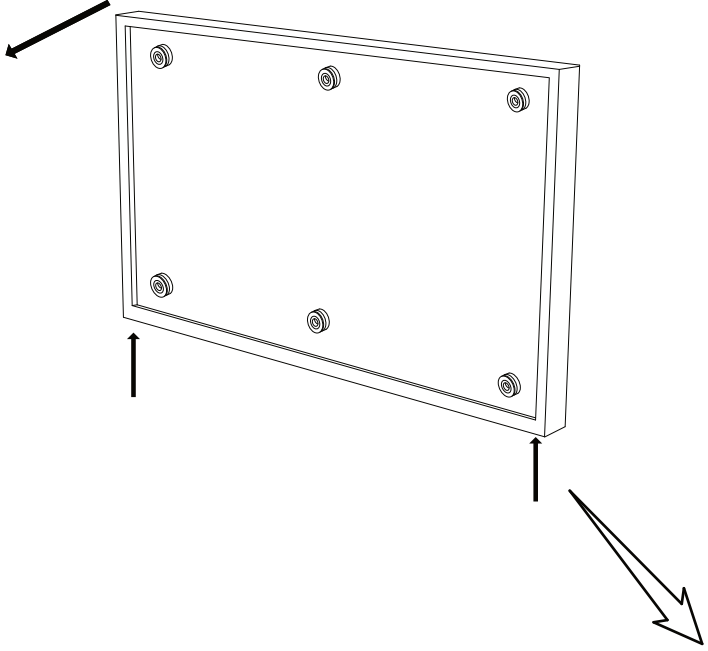
Black oval securing clips.



Lock your DropTop

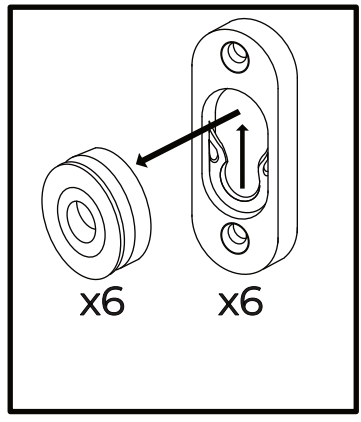
To attach the artwork, make sure the green buttons are securely slotted into the black oval securing clips.





Lock your DropTop

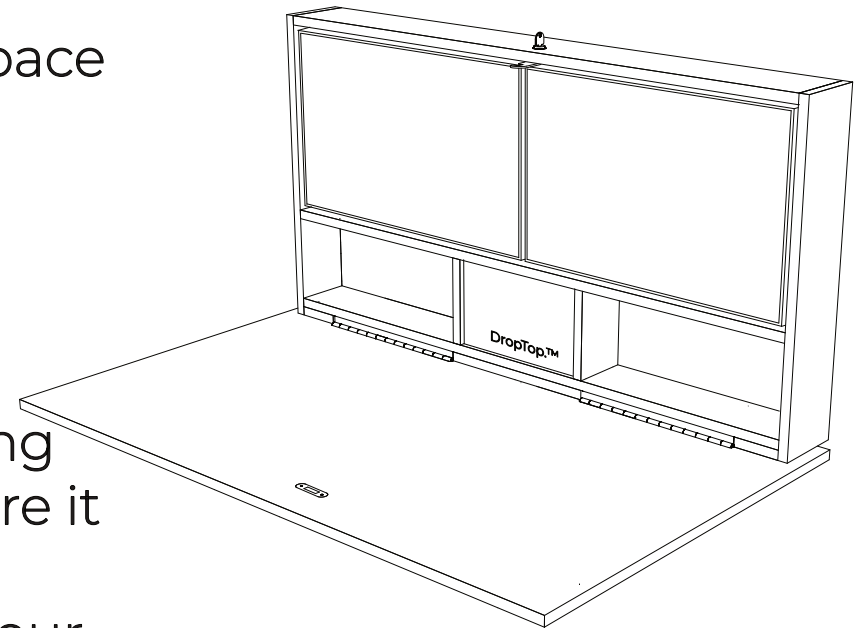
To remove the artwork, gently push up from the base of the frame to dislodge the green buttons.



DropTop™ Duo 24 Classic

Thank you for choosing to purchase your DropTop™ wall-mounted desk. We are delighted to have you as part of our community. You're taking a wonderful step towards improving your workspace and achieving a better work-life balance. We couldn't be more thrilled to support you in this journey.

Our team has put immense effort into designing and crafting the DropTop™ desk range to ensure it meets the highest standards of quality and functionality. We sincerely hope it transforms your workspace into a more productive and enjoyable environment.



www.pithandstem.com