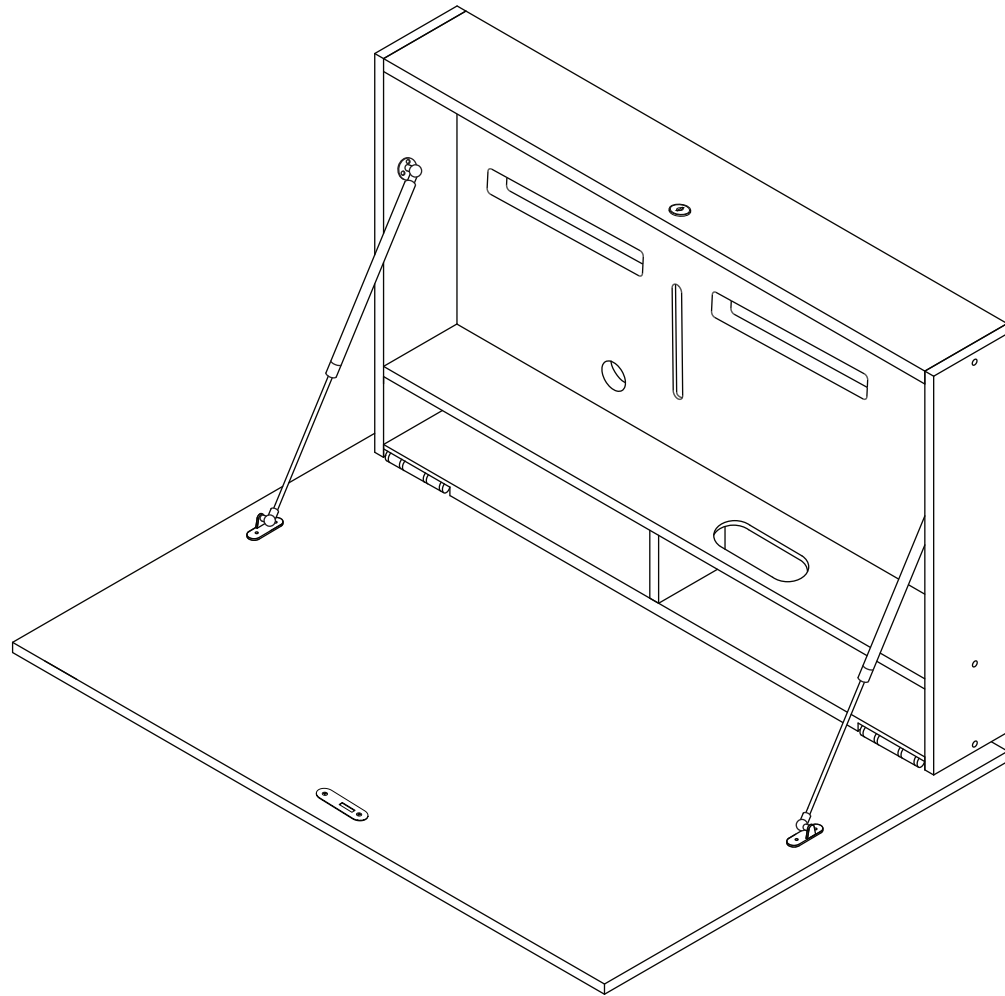


# DropTop™ Single 29 Light



## Assembly & Installation Instructions

# DropTop™ Single 29 Light

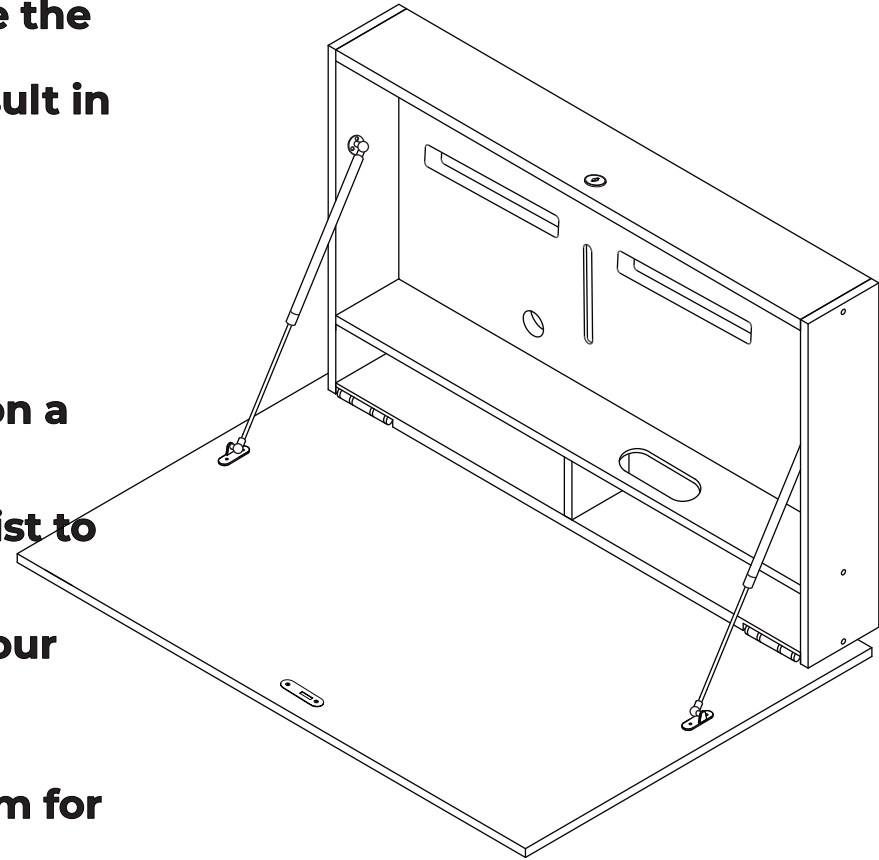
## Assembly & Installation Guidelines

Please read and follow these instructions carefully to ensure the correct assembly and installation of your DropTop™ wall-mounted desk. Failure to adhere to the instructions may result in product damage, personal injury, or voiding of the product warranty.

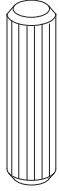
### Before You Begin:

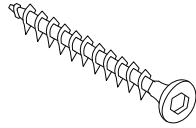
- Remove the contents from the package and place them on a protective surface to prevent damage.
- Compare the package contents with the Supplied Parts List to ensure all components are intact and undamaged.
- Thoroughly read and review all instructions provided in your DropTop™ Installation guide before beginning assembly.


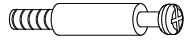
If you encounter any issues or have questions during the assembly process, please contact our customer support team for assistance.



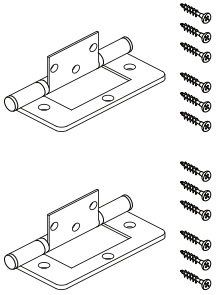
# DropTop™ Single Light Fixings Pack

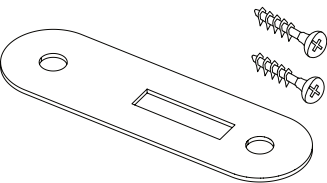
**1**  
  
 x23  
 + 2 Extra

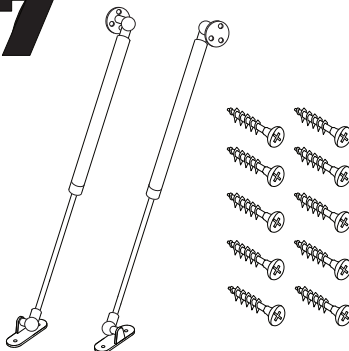
**2**  
  
 x18  
 +1 Extra

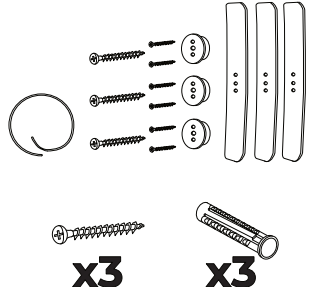
**3**  
  
 x7 +1 Extra  
  
 x7 +1 Extra

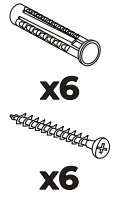
**4**  


**5-2**  


**6**  


**7**  


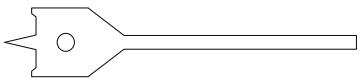
**A** Plasterboard Wall Fixings  
  
 x3 x3

**B** Brick/Concrete Wall Fixings  
  
 x6  
 x6

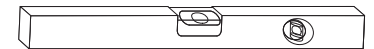
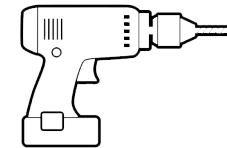
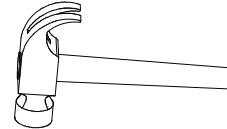
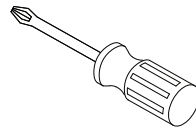
## Tools

### \*included

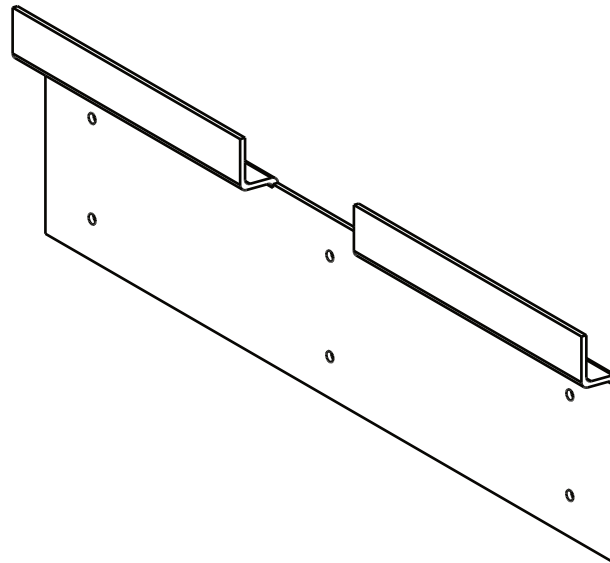
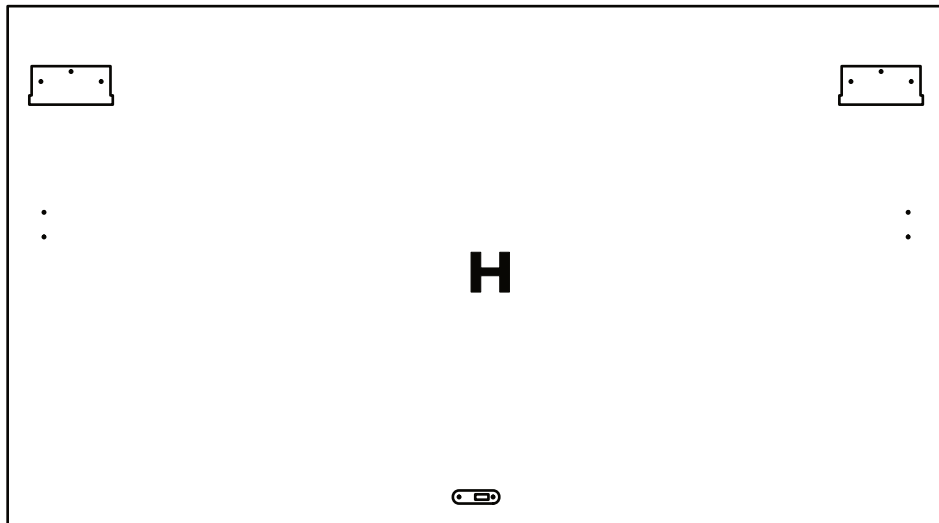
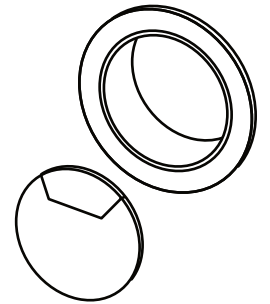
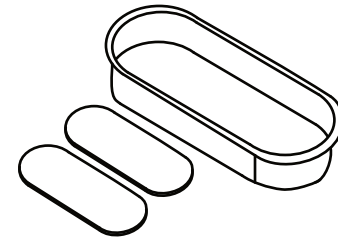
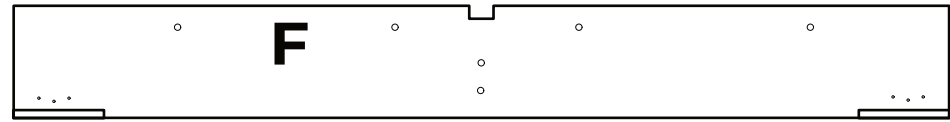
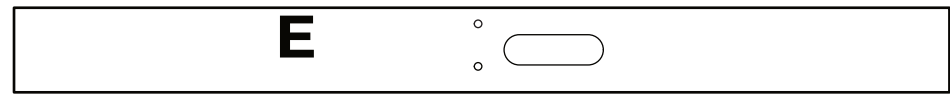
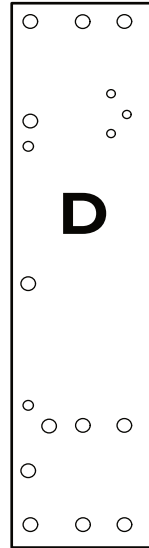
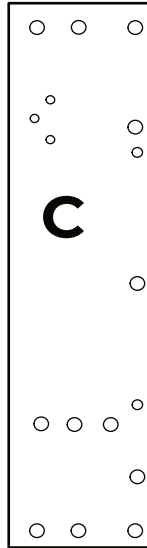
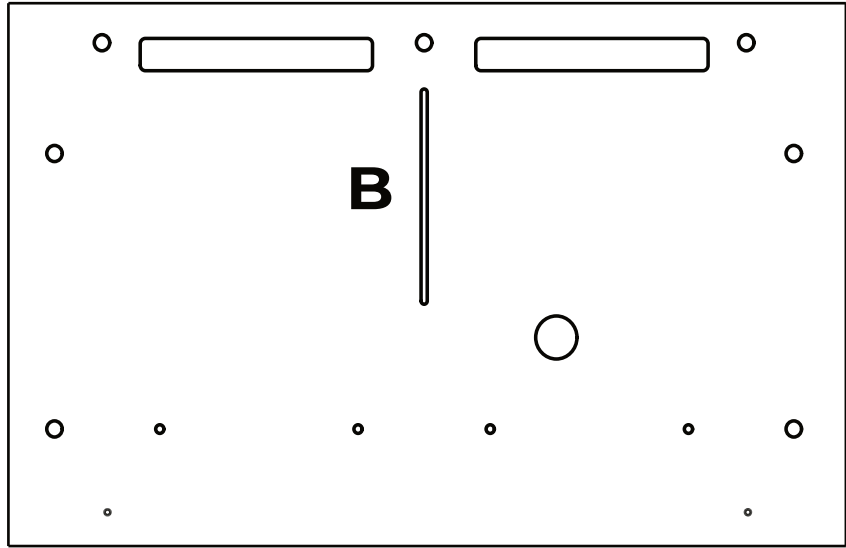
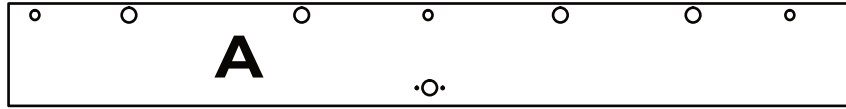
  
 1 x 4mm Allen Key

  
 1 x 25mm Spade bit.  
 For a Plasterboard Wall

### \*Not included



# DropTop™ Single Light Parts



# DropTop™ Single Light dimensions

## Exterior dimensions when Closed:

**Height: 67 cm**

**Width: 82.2 cm**

**Depth: 15.8cm**

## Worktop Dimensions:

**Width: 86.5 cm**

**Depth: 55 cm**

**The Single Light supports up to 50kg in weight**



**Weight - 25kg**

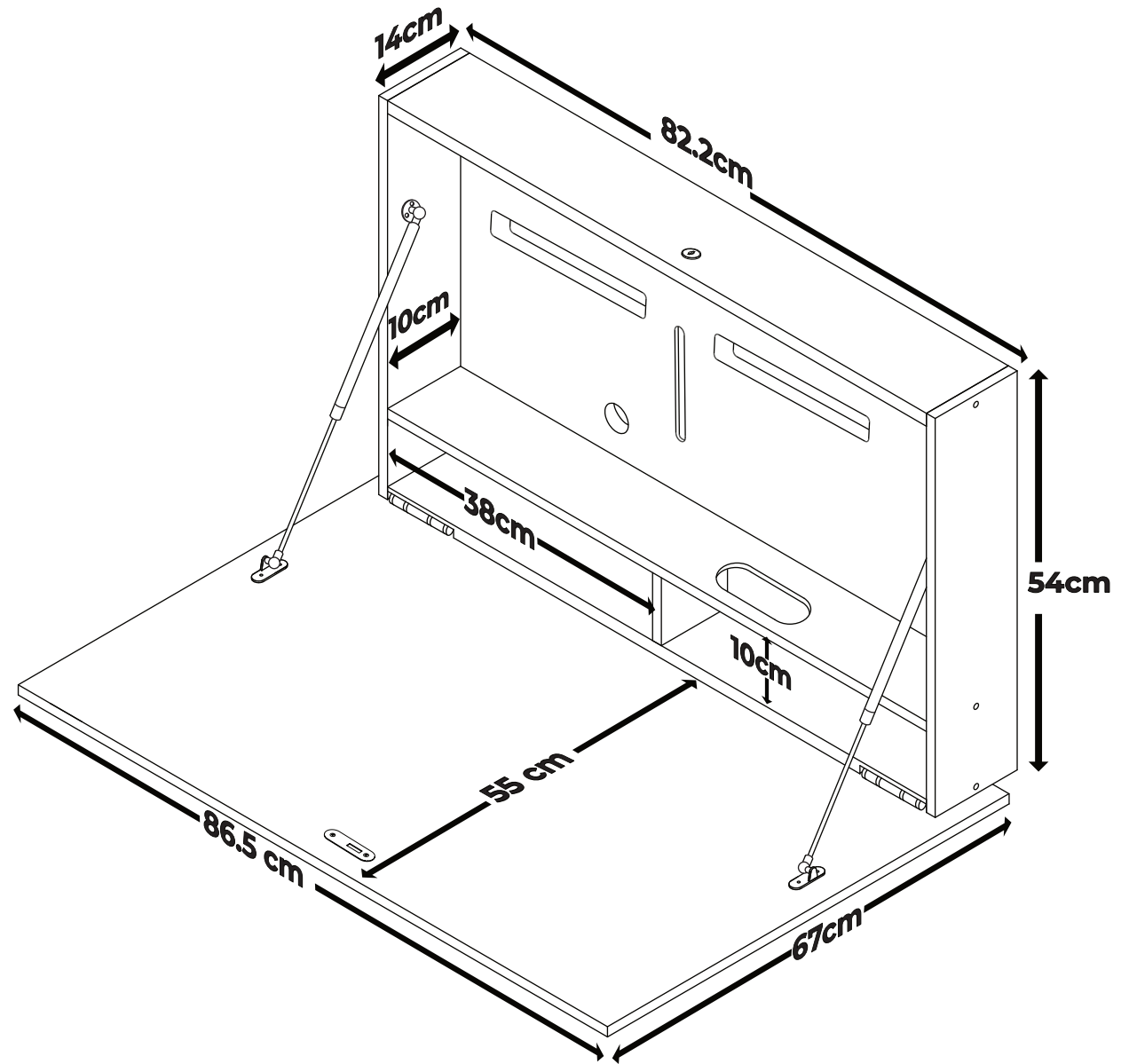
**To safely mount your**



**DropTop™, it is**




**recommended that two  
people assist with the  
installation**



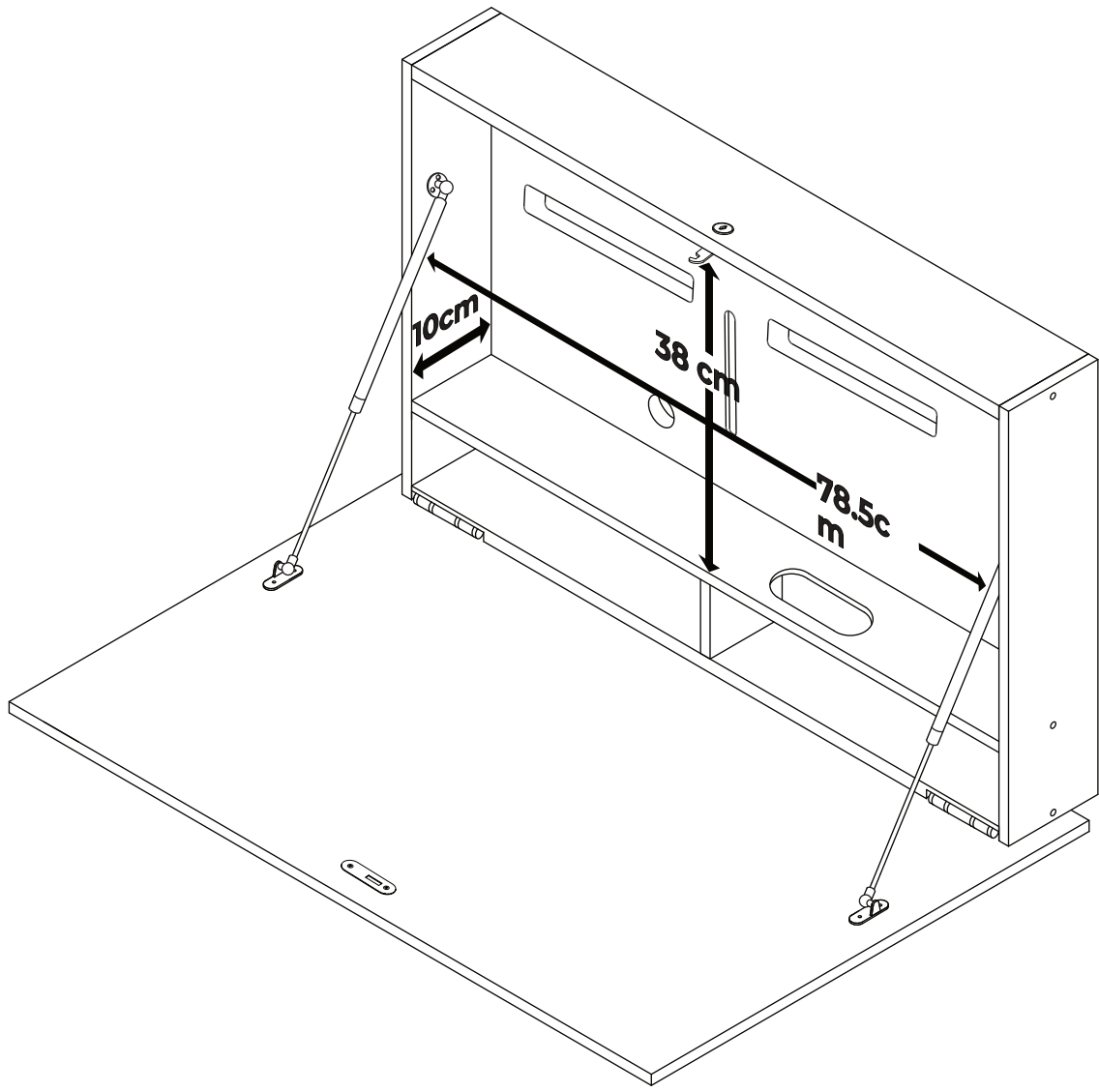
# DropTop™ Single Light Monitor space dimensions

**The Single Light is designed to house a 24-inch or a 29-inch Ultrawide monitor.**

**Available Monitor Space dimensions:**  
**Height: 38cm**  
**Width: 78.5cm**  
**Depth: Please see note below\***

 **Please note that the available monitor space depth will vary based on your chosen Monitor Mount**

<b>Monitor Mount</b>	<b>Depth available</b>
<b>Extendable</b>	<b>5cm</b>
<b>Tilt</b>	<b>6cm</b>
<b>Slim</b>	<b>8cm</b>



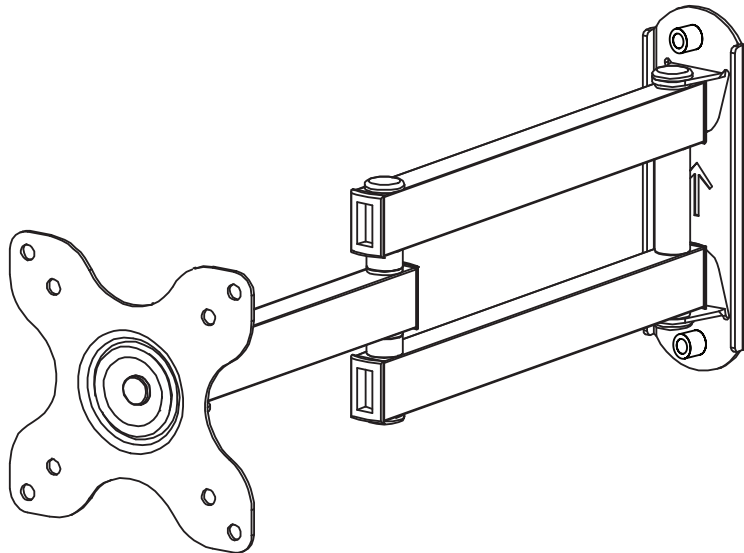
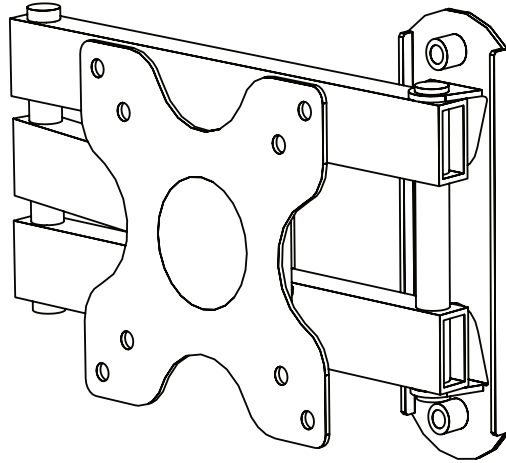
# **Monitor Mounts.**

**Your DropTop™ Light will include one of the following monitor brackets, depending on your order configuration.**

## **Extendable Arm Mount**

**Depth: 5cm**

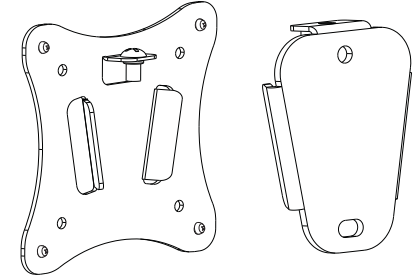
**The recommended maximum depth for your monitor is 5cm**



## **Slim Mount**

**Depth: 1.3cm**

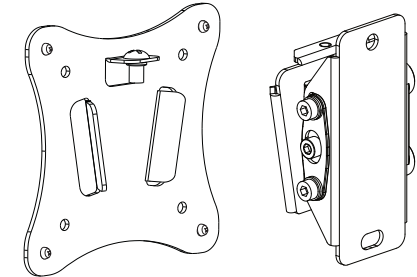
**The recommended maximum depth for your monitor is 8cm**



## **Tilt Mount**

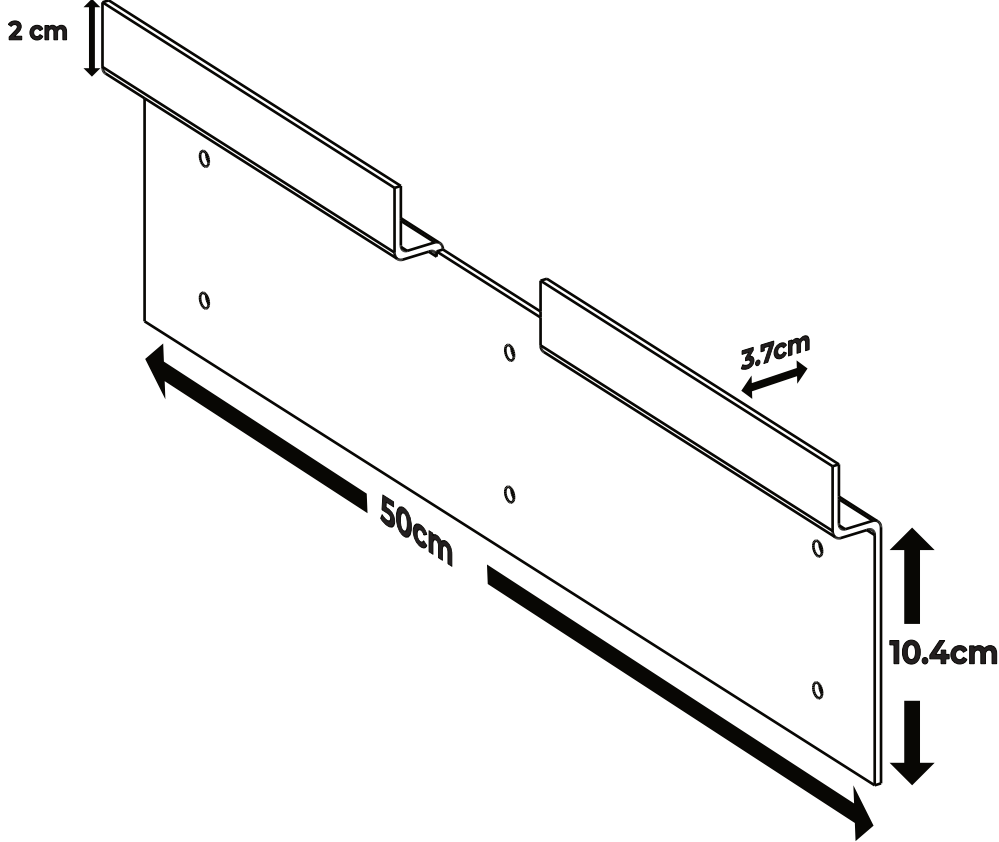
**Depth: 3.3cm**

**The recommended maximum depth for your monitor is 6cm**

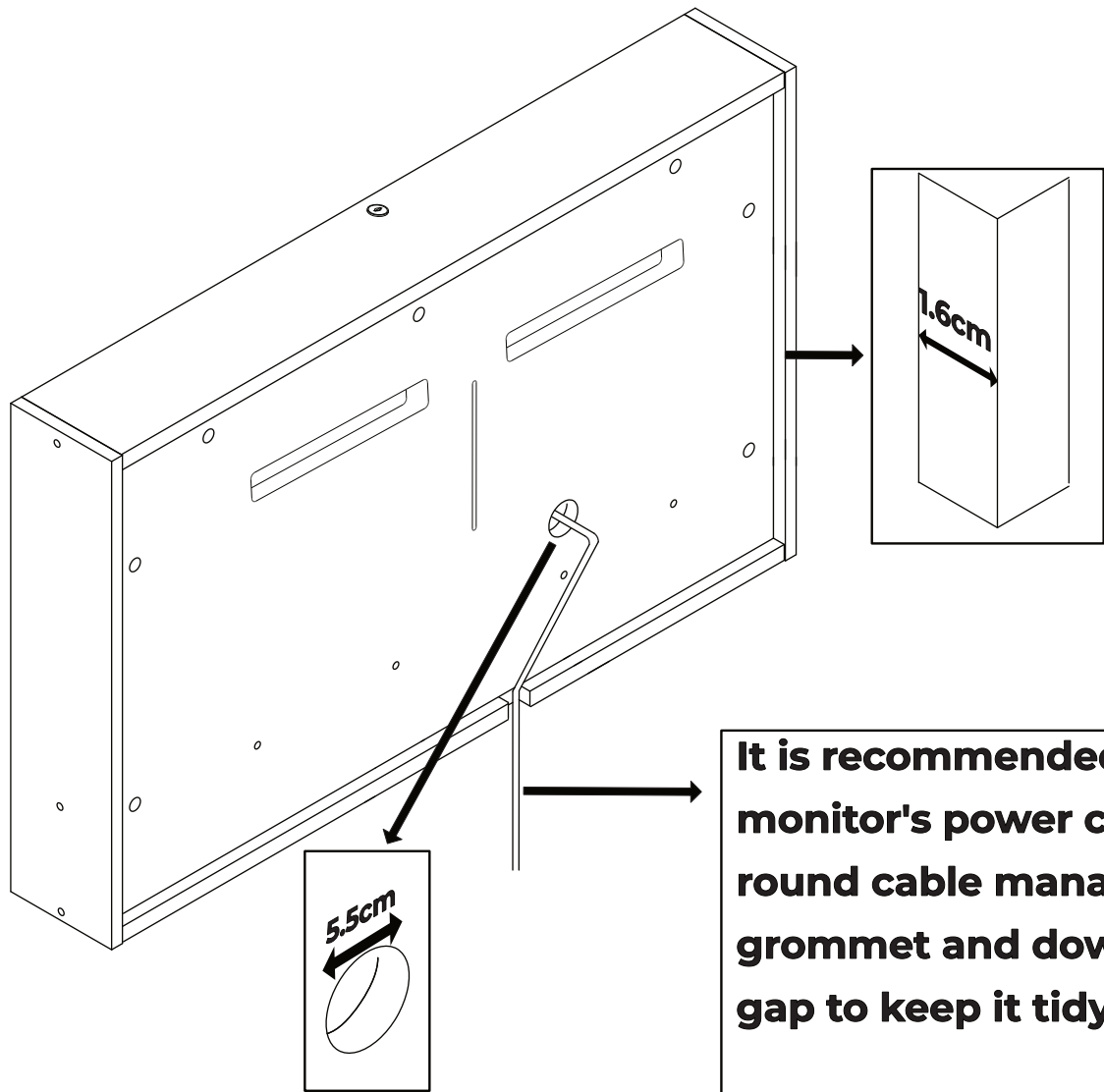


**Ensure your monitor supports VESA 75x75mm or 100x100mm standards and check the advised depth for each mount.**

# DropTop™ Single 29 Light Wall Plate dimensions.



# **DropTop™ Single 29 Light Cable Management**

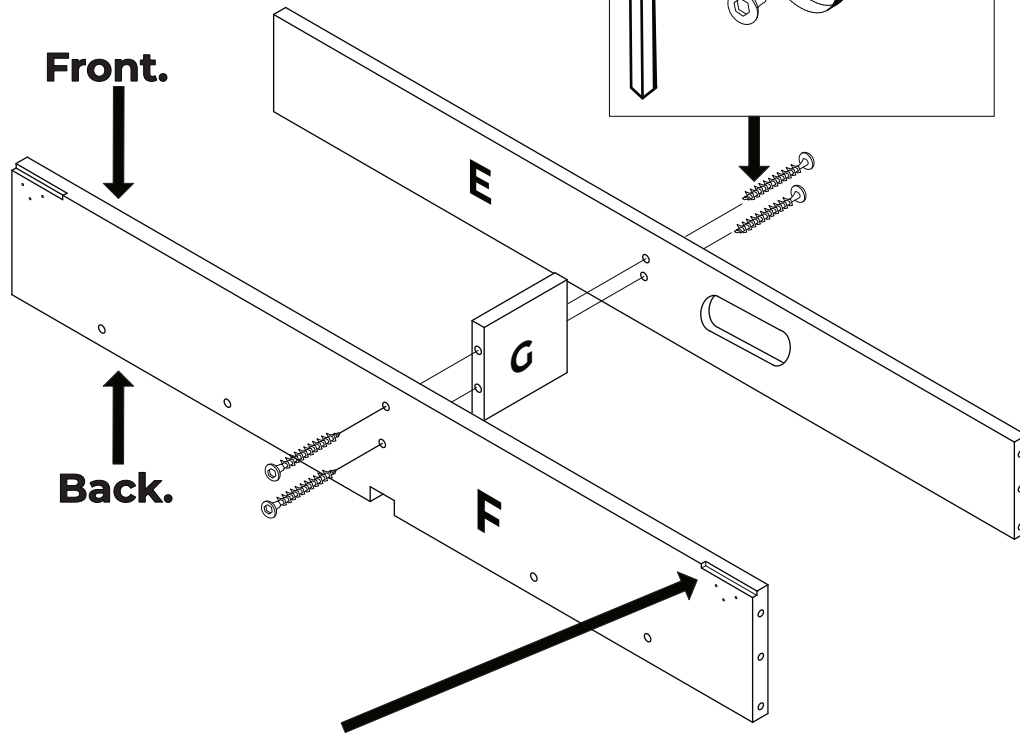


**The Single Light is designed with a back recess depth of 1.6cm. This allows for any cables to be fed tidily behind the DropTop**

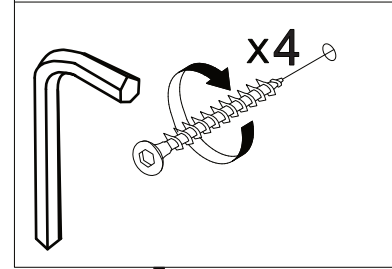
**It is recommended to feed the monitor's power cable through round cable management grommet and down between the gap to keep it tidy.**

# DropTop™ Single Light Assembly

1



Fixings Pack #2



Front.

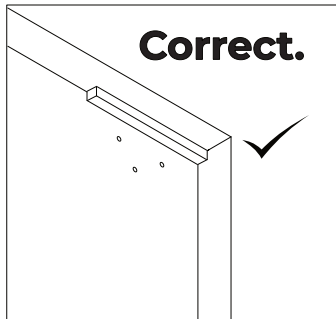
Back.

F

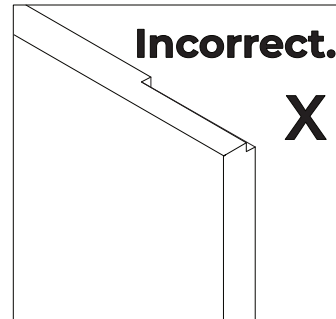
F'

G

Correct.

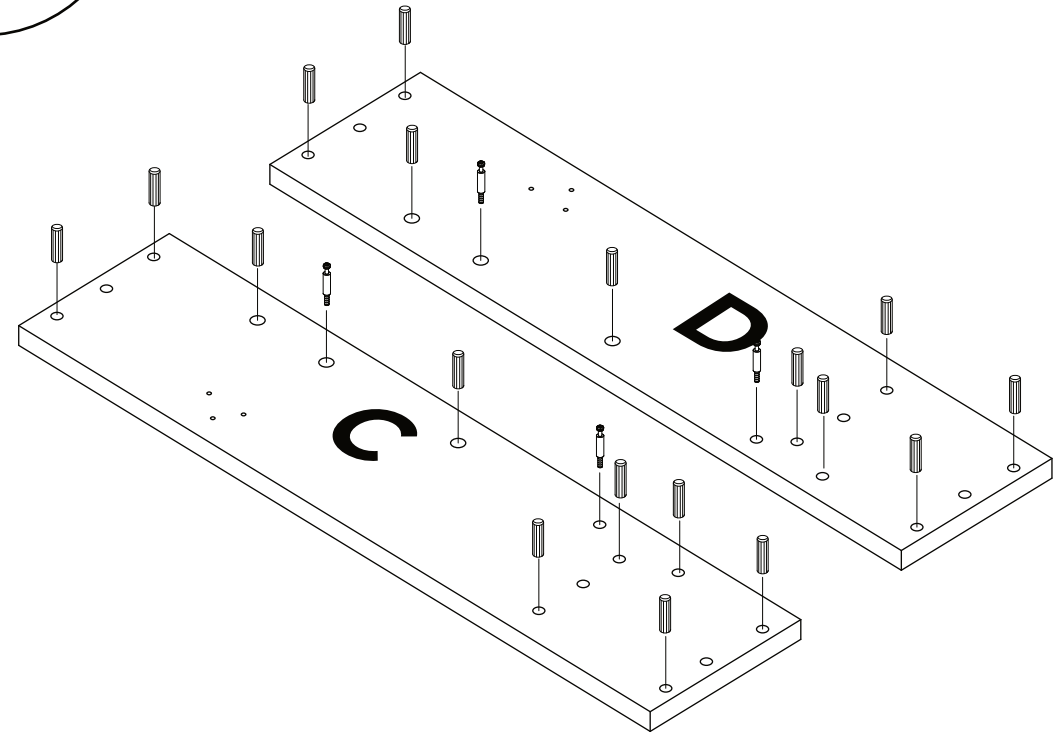


Incorrect.

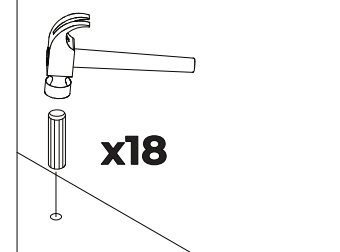


Ensure that part F is correctly oriented before assembly, as shown.

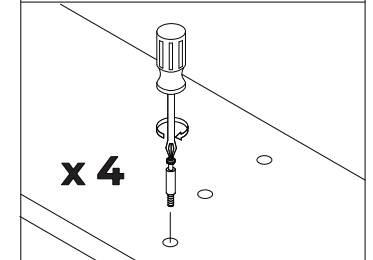
2



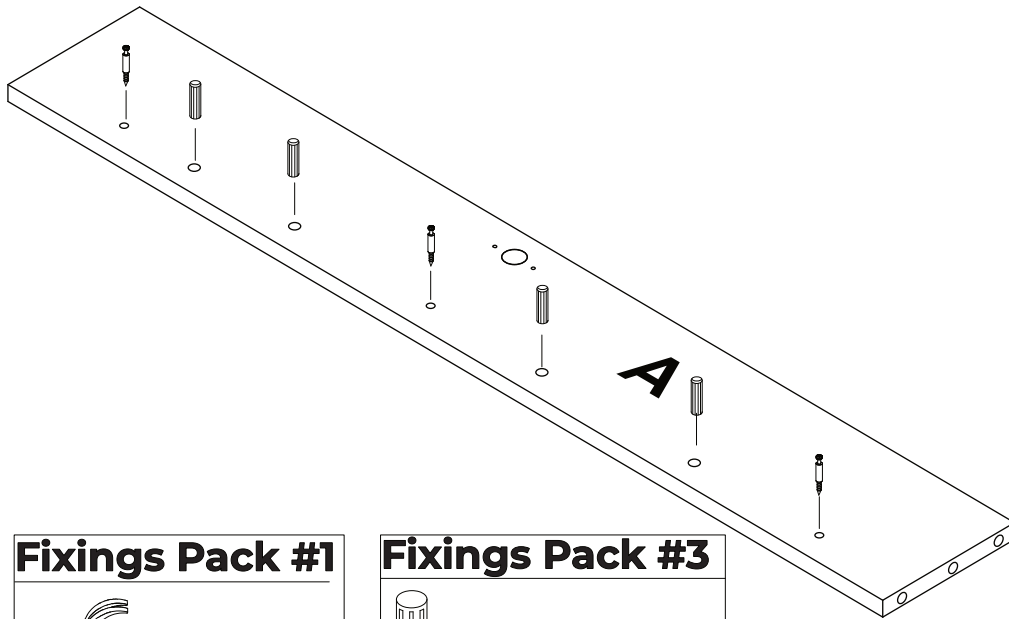
Fixings Pack #1



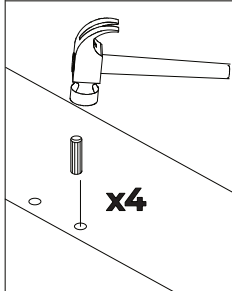
Fixings Pack #3



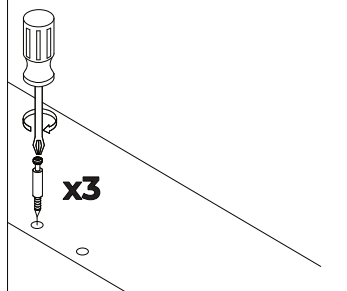
# 3



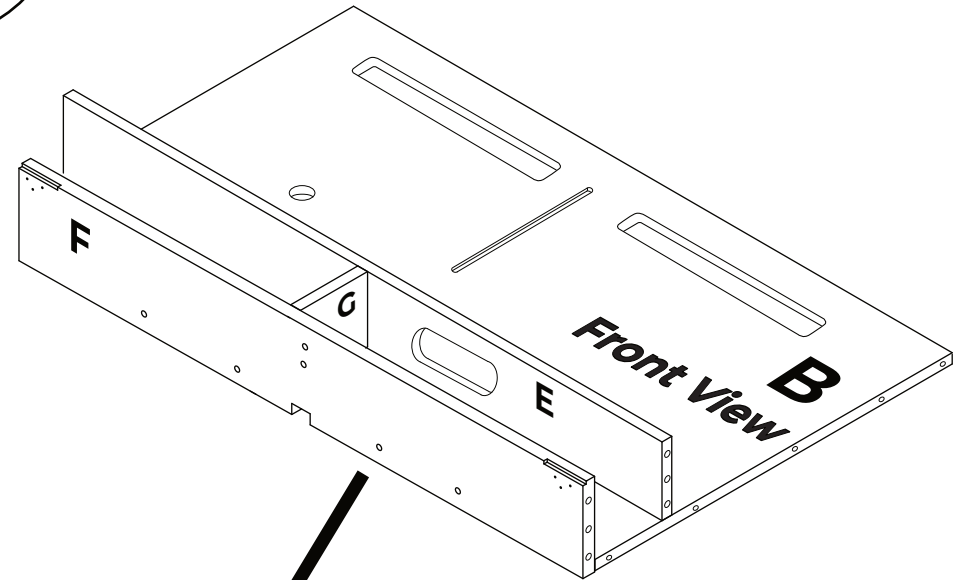
**Fixings Pack #1**



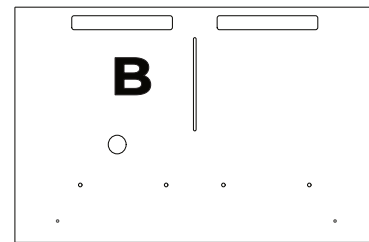
**Fixings Pack #3**



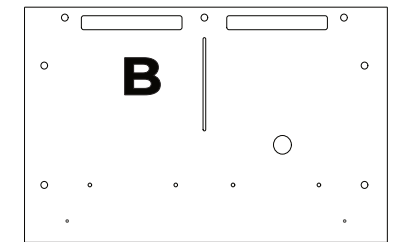
# 4



**Front View**

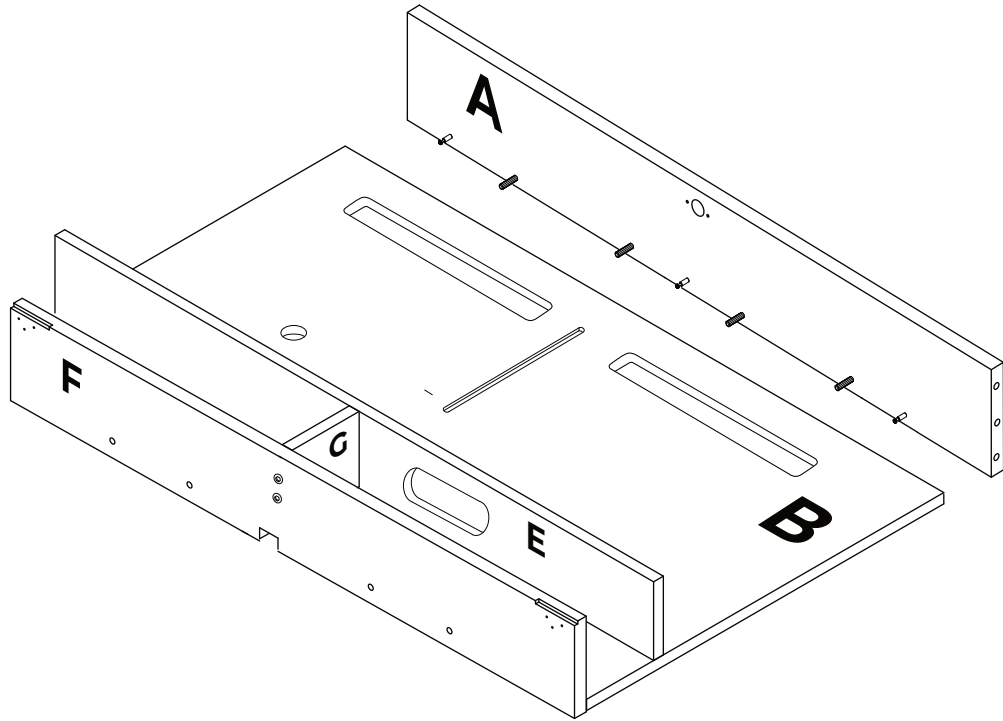


**Back View**

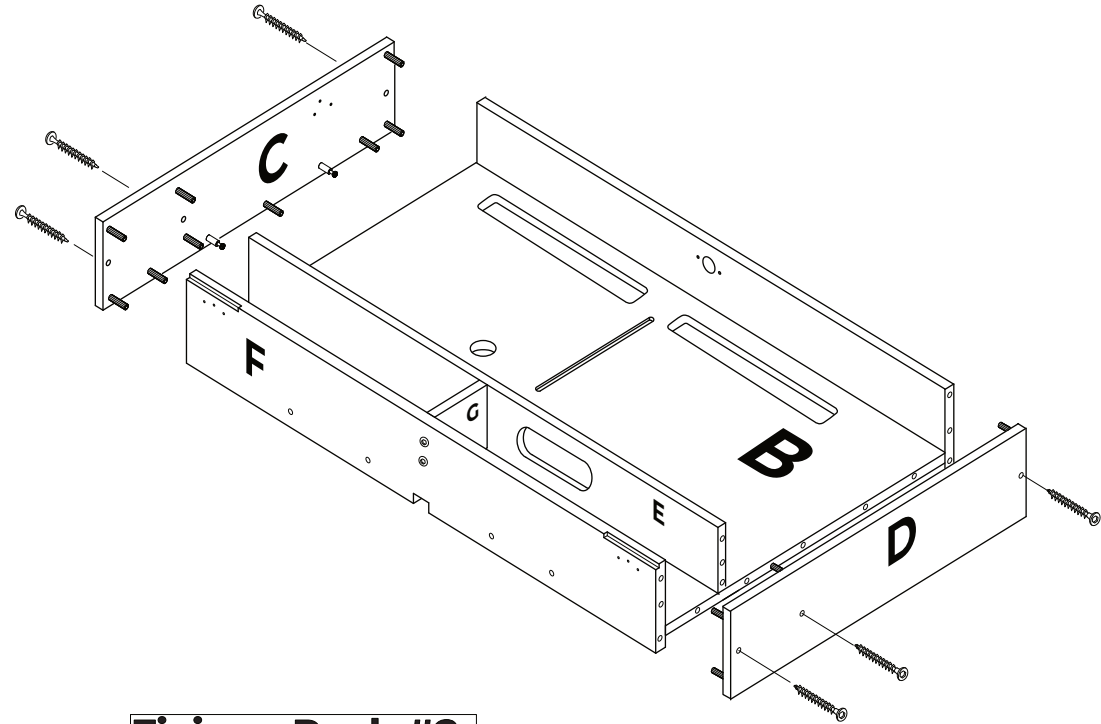


**At this step, Ensure Part B is facing frontwards, as illustrated, not backwards at this stage**

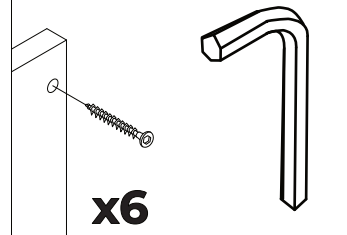
5



6

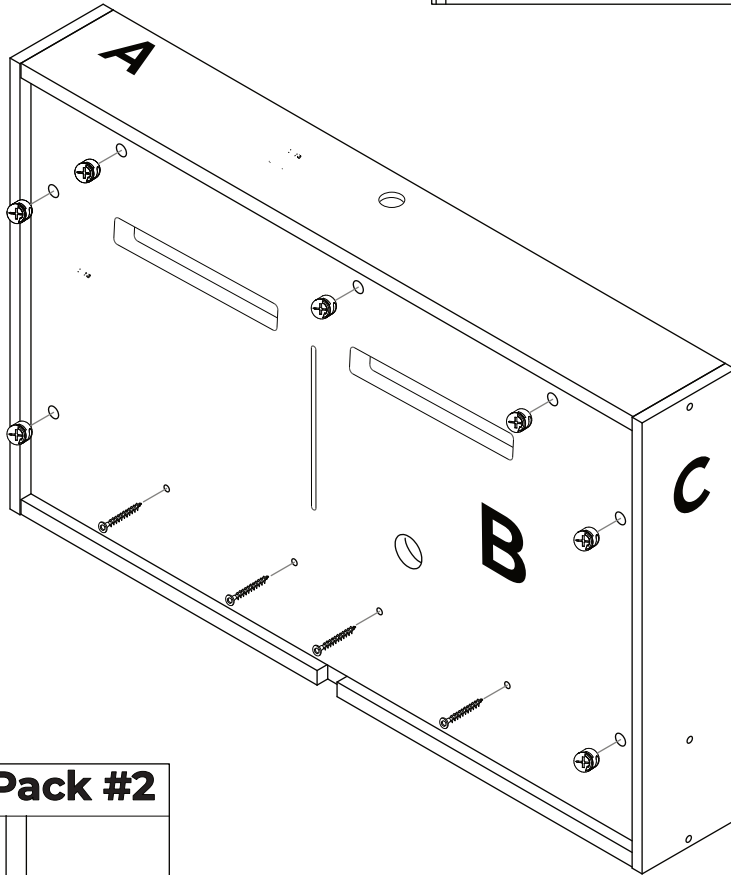
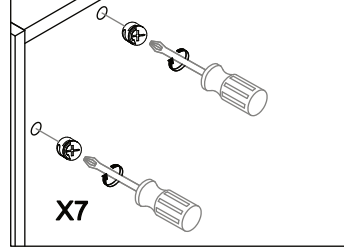


**Fixings Pack #2**

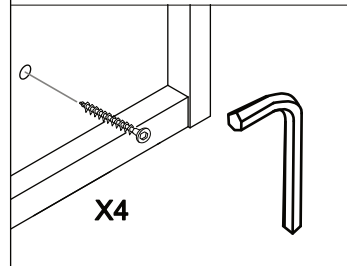


# 7

**Fixings Pack #3**



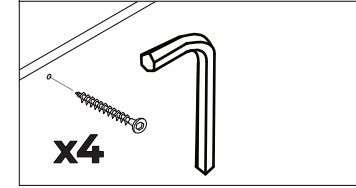
**Fixings Pack #2**



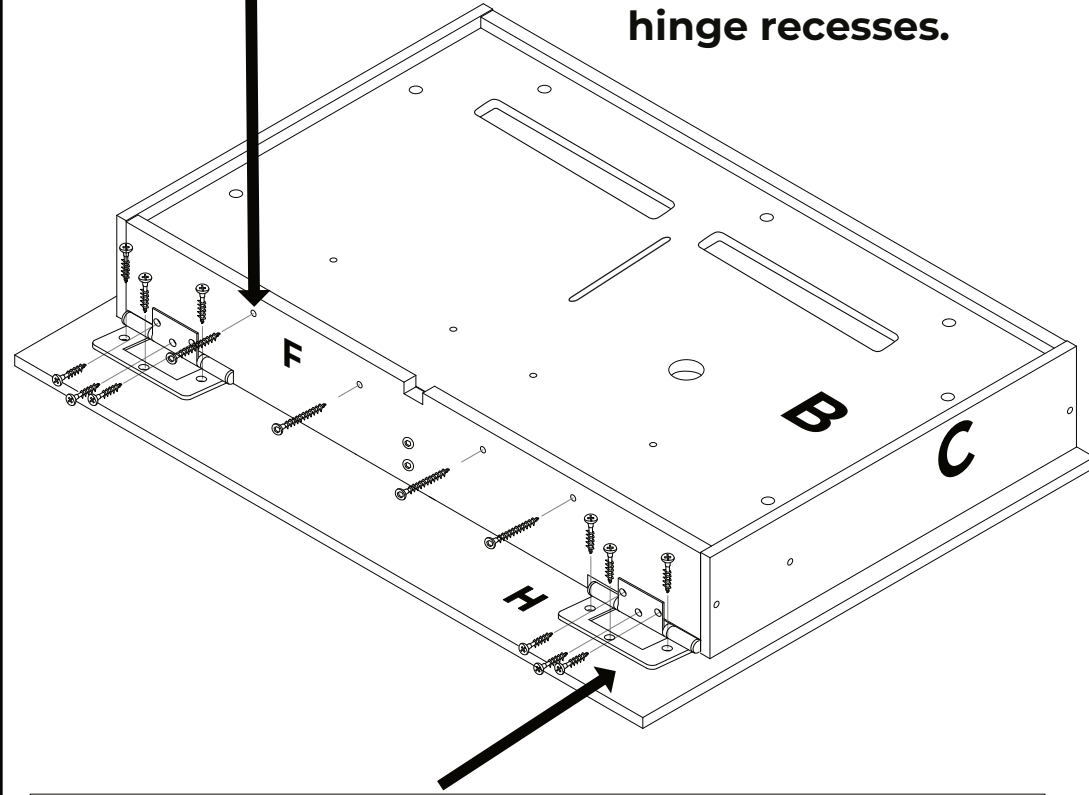
**Back View**

# 8

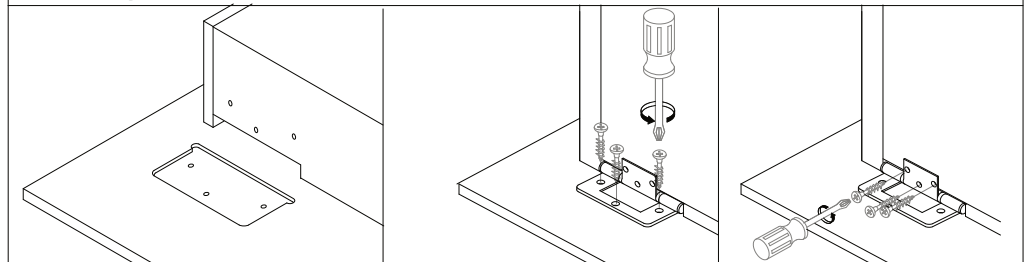
**Fixings Pack #2**



Lay part H down flat, then place the assembled component from Step 7 on top, aligning it with the hinge recesses.

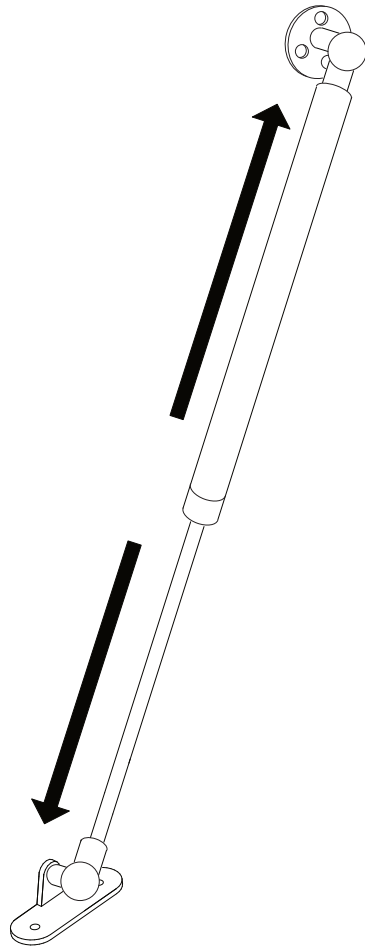
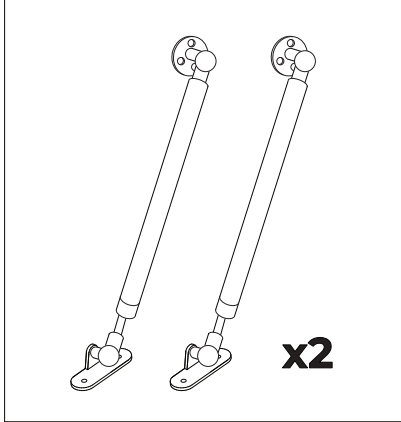


**Fixings Pack #5-2**



9

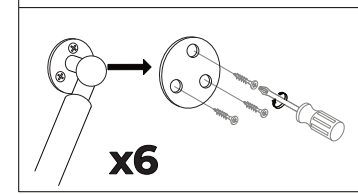
Fixings Pack #7



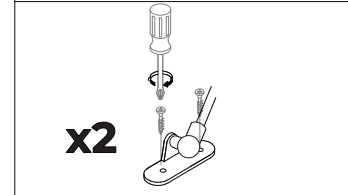
Fully extend the soft opening stays by pulling on each end.

10

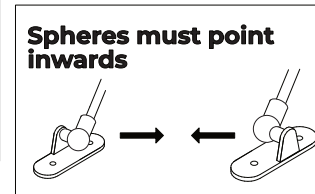
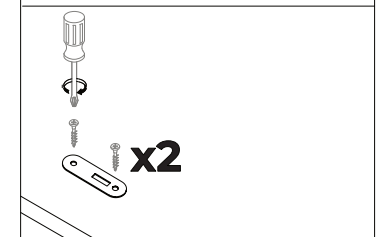
Fixings Pack #7



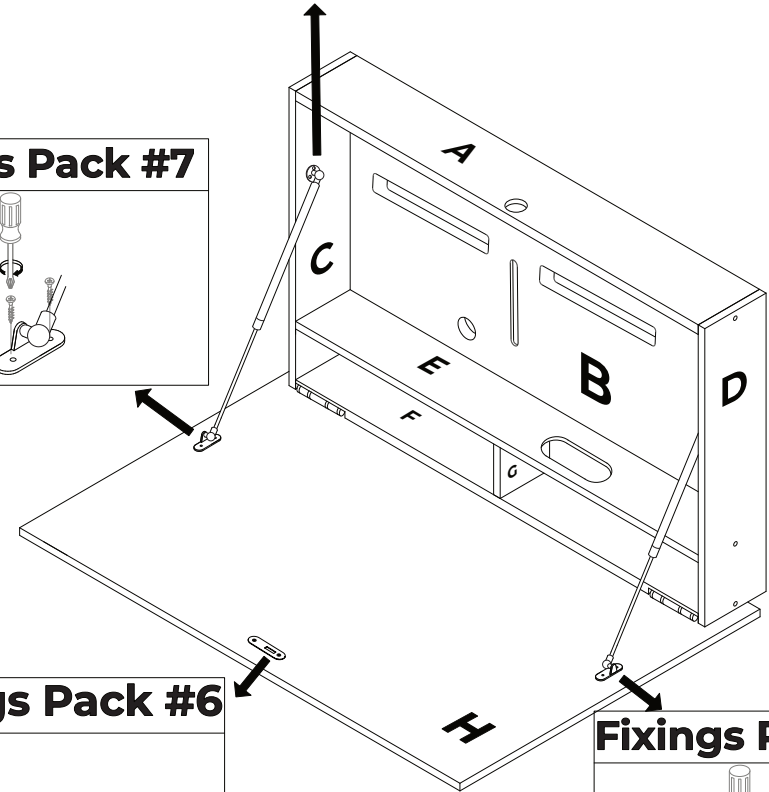
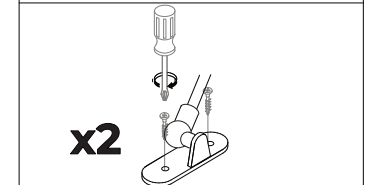
Fixings Pack #7



Fixings Pack #6

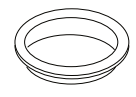


Fixings Pack #7

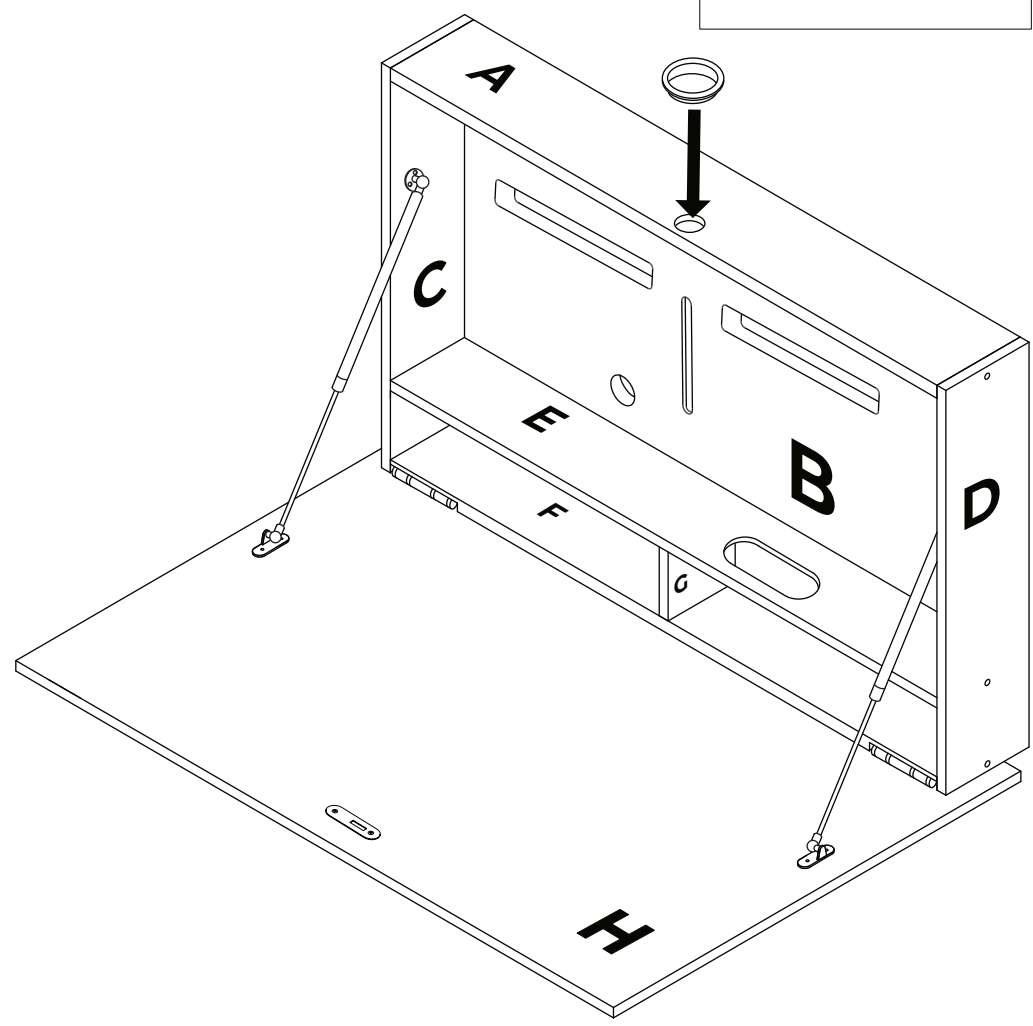


11

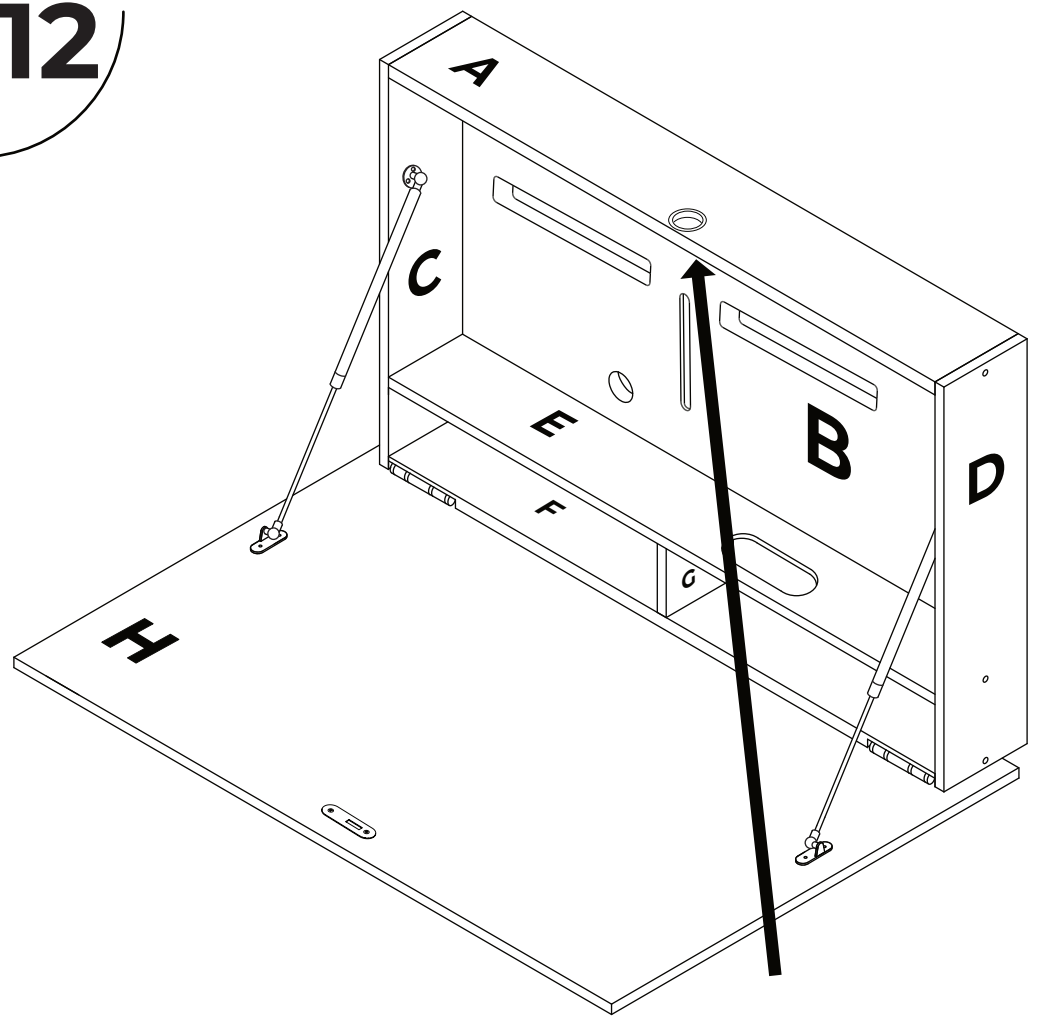
Fixings Pack #4



x1



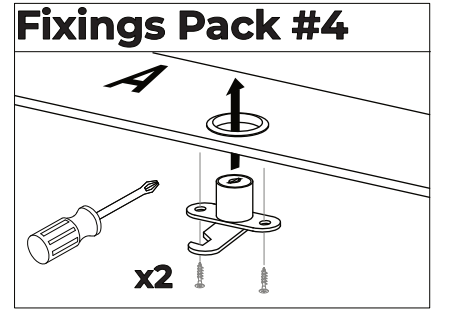
12



Fixings Pack #4

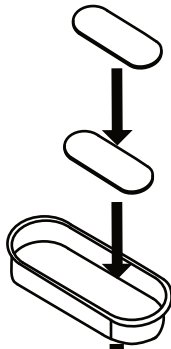


x2

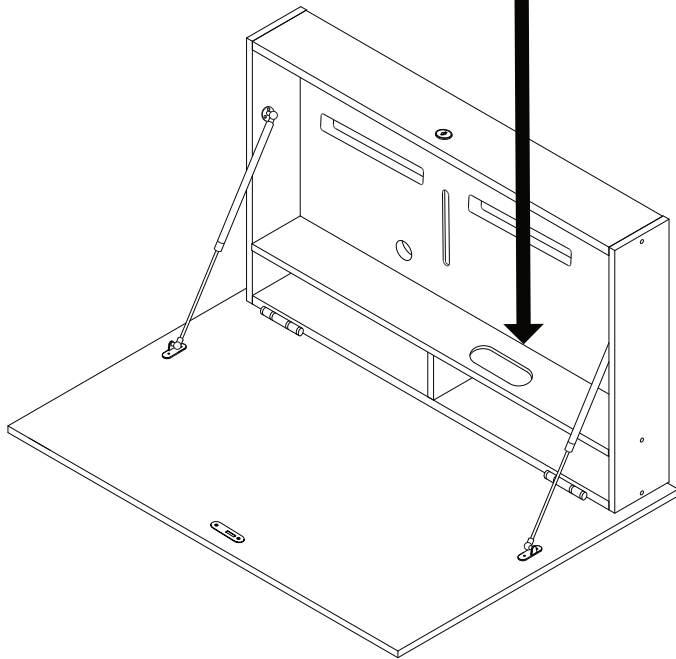


**13**

**Oval Cable management grommet.**



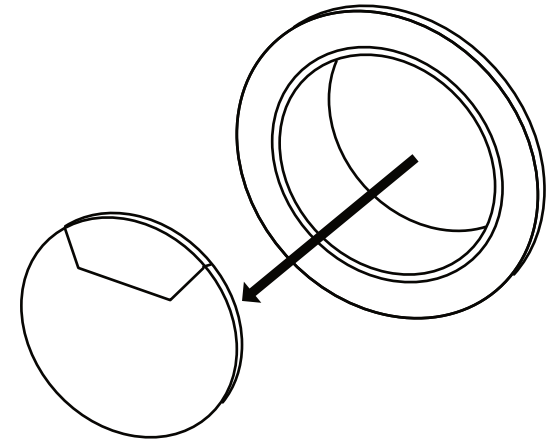
**1. Place the two slender metal discs into the black oval ring, aligning them correctly.**



**2. Slot the assembled cable management unit into the oval recess**

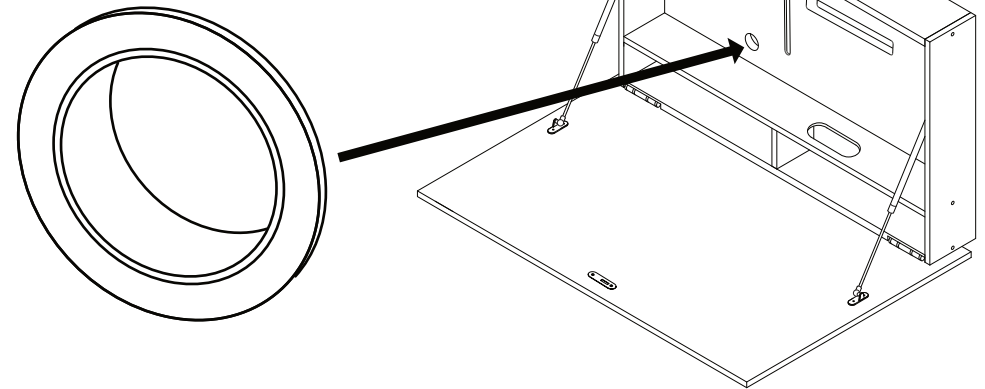
**14**

**Round Cable management grommet.**

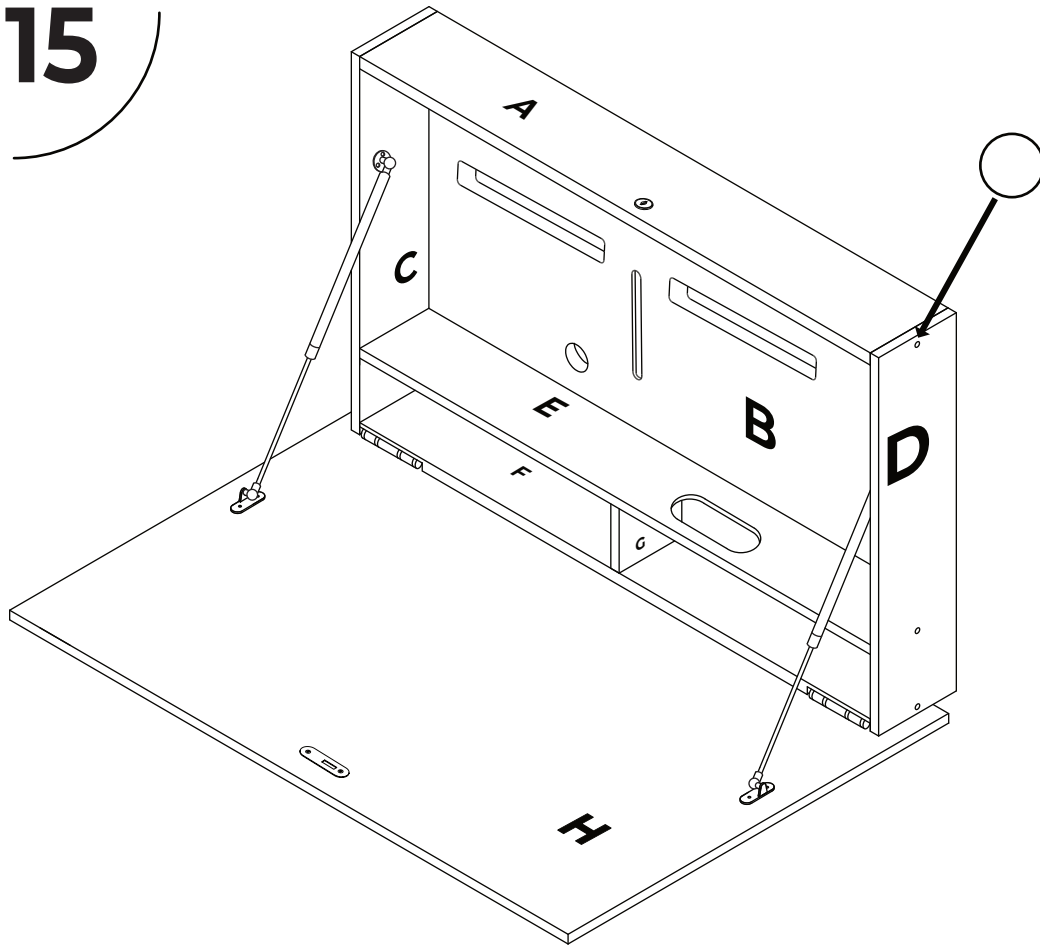


**1. Push out the central section of the circular cable grommet. You'll use it later.**

**2. Fit the outer ring of the cable grommet into part B's circular recess, aligning it carefully**



15



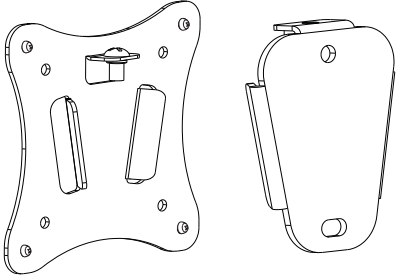
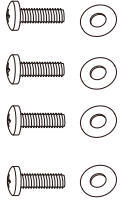
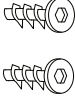
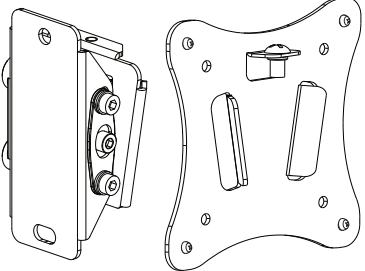
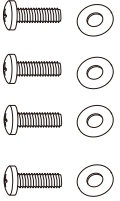
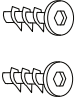
**Matching colour cover cap stickers have been provided with your DropTop™**

**Place the provided colour-matched cover cap stickers over any exposed screws for a clean finish.**

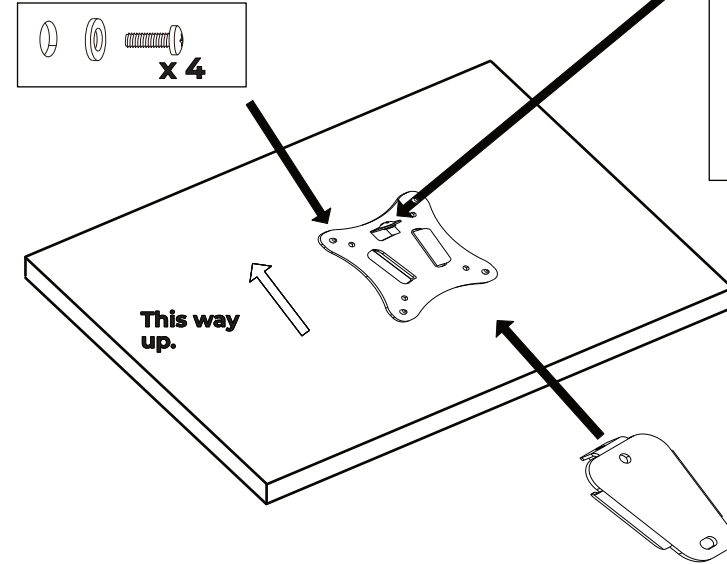
# To install your monitor on a Slim or Tilt mount.

# 1

Your DropTop™ comes with either a Slim Monitor Mount or a Tilt Monitor Mount, depending on your chosen configuration.

Slim Monitor Mount			
			
Tilt Monitor Mount			
			

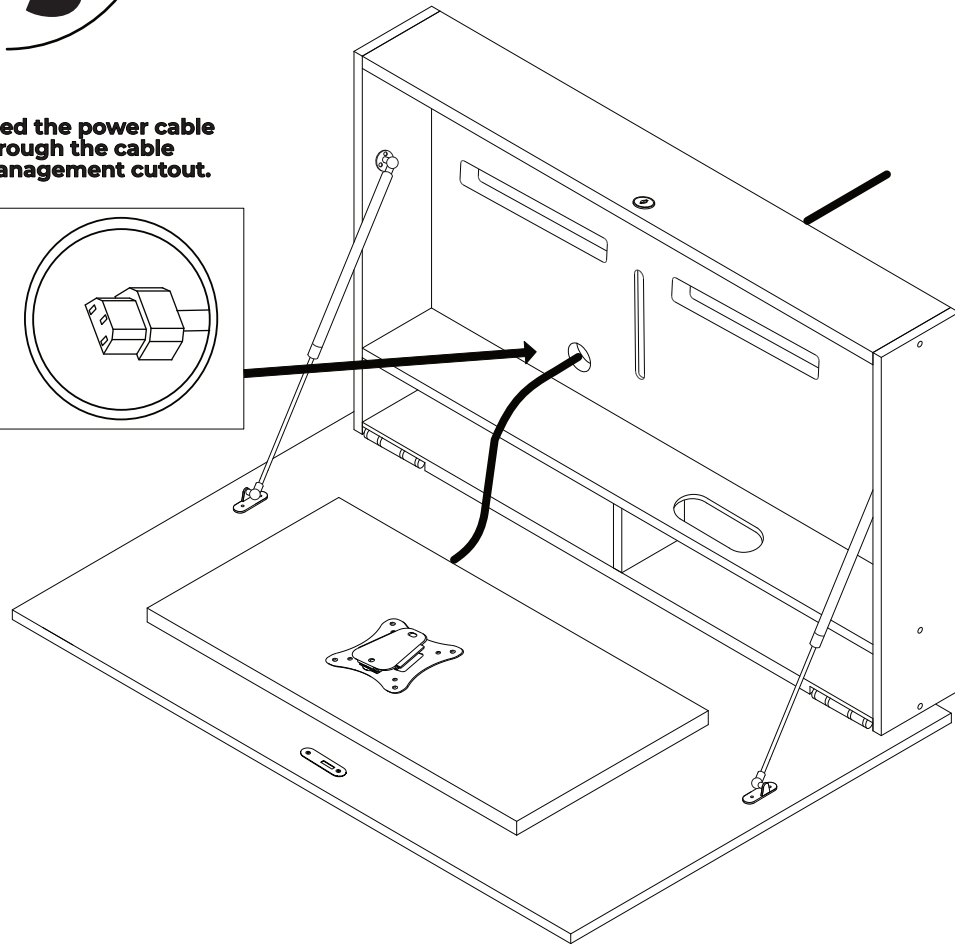
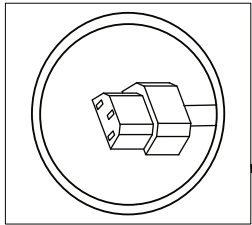
# 2



Fix the VESA plate to the monitor with the supplied screws.

**3**

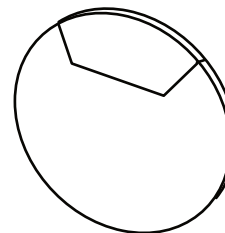
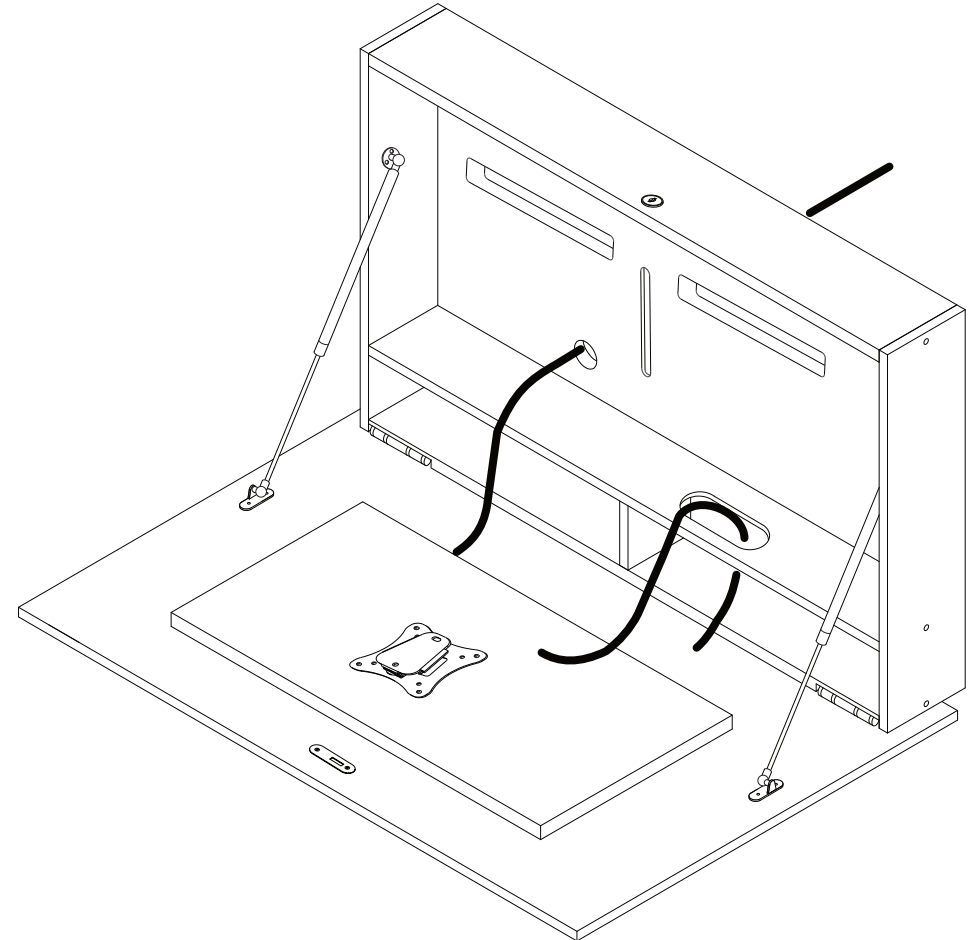
Feed the power cable through the cable management cutout.



**Place the monitor face down on the worktop. Feed the power cable through the round cable grommet at the back of panel B and plug it into your monitor.**

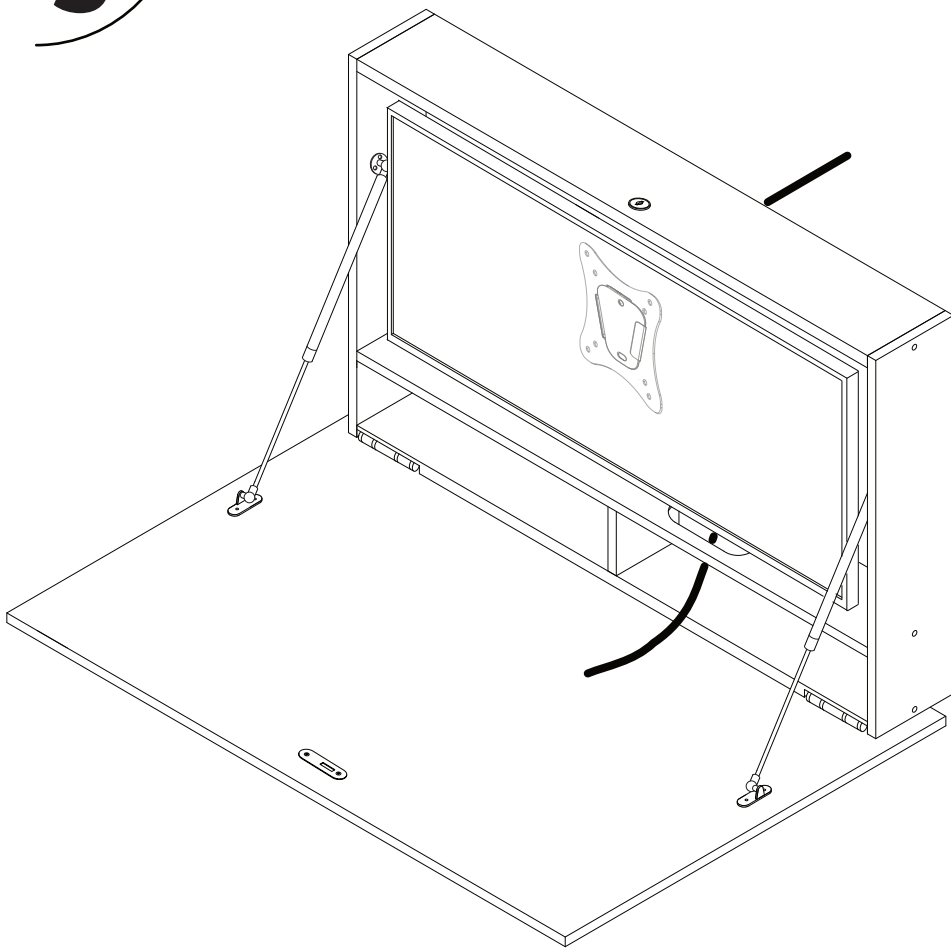
**4**

**Attach your selected cable to the monitor and pass it through the oval-shaped cable grommet on panel E.**



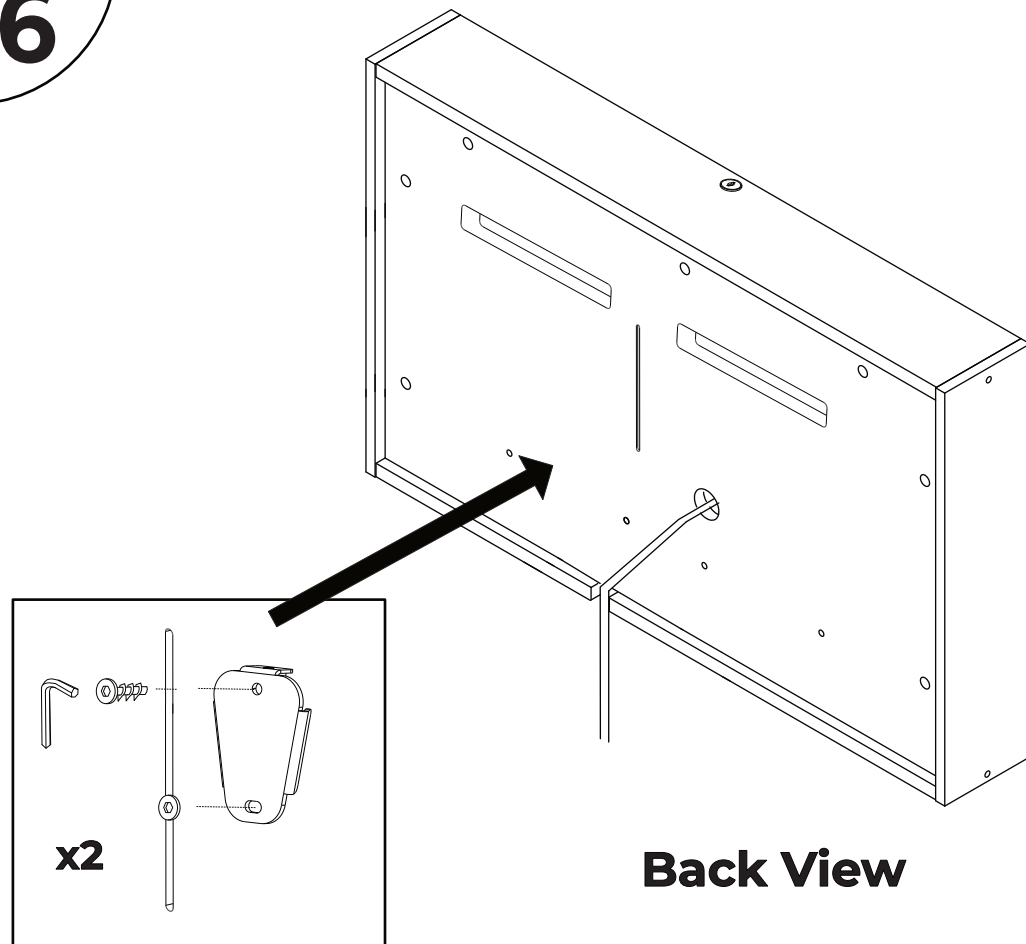
**After cabling, reattach the central section to the round cable grommet.**

**5**



**Place your monitor into the DropTop™ monitor space, ensuring cables are properly routed through.**

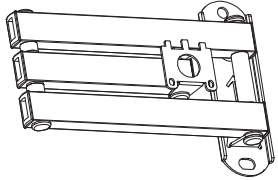
**6**



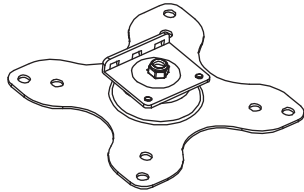
**Secure the monitor from the front. At the back, insert and lightly screw the bolts to keep it in position. Fine-tune the height as needed, then fully tighten the bolts to firmly secure the monitor.**

# To install your monitor on an Extendable Arm Mount

**1**



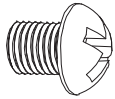
**Articulating Arms(1)**



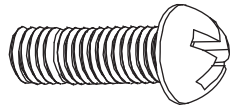
**VESA Plate(1)**



**A-Wrench (1)**



**E-Screws (2)**



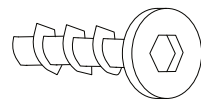
**D- M4 x12 Screws**



**I-Cable Tie(3)**

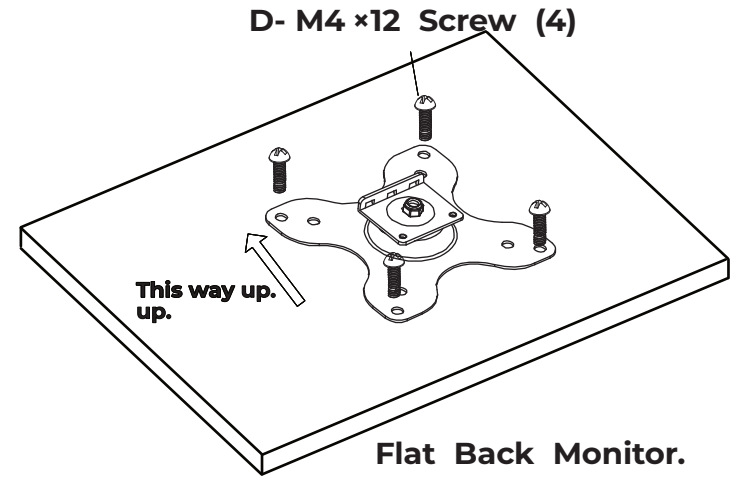


**Allen Key(1)**



**2 x M6 Bolt**

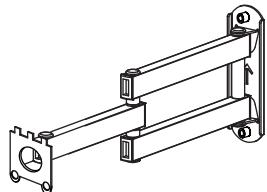
**2**



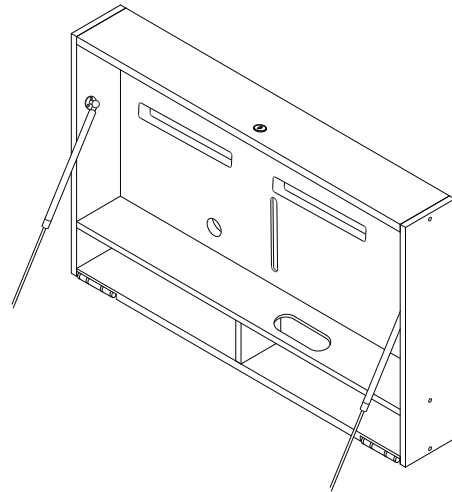
**Attach the VESA Plate to your monitors using the provided screws.**

# 3

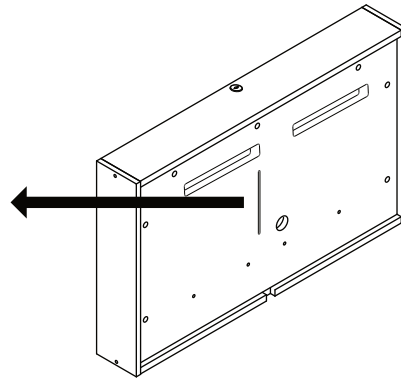
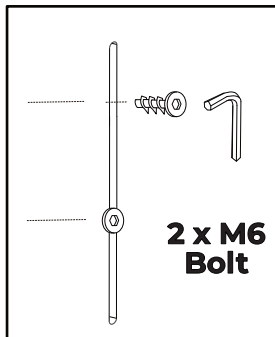
## Front View



Articulating Arms (1)



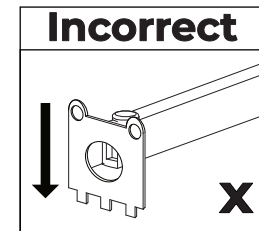
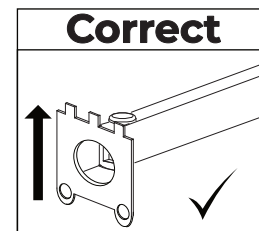
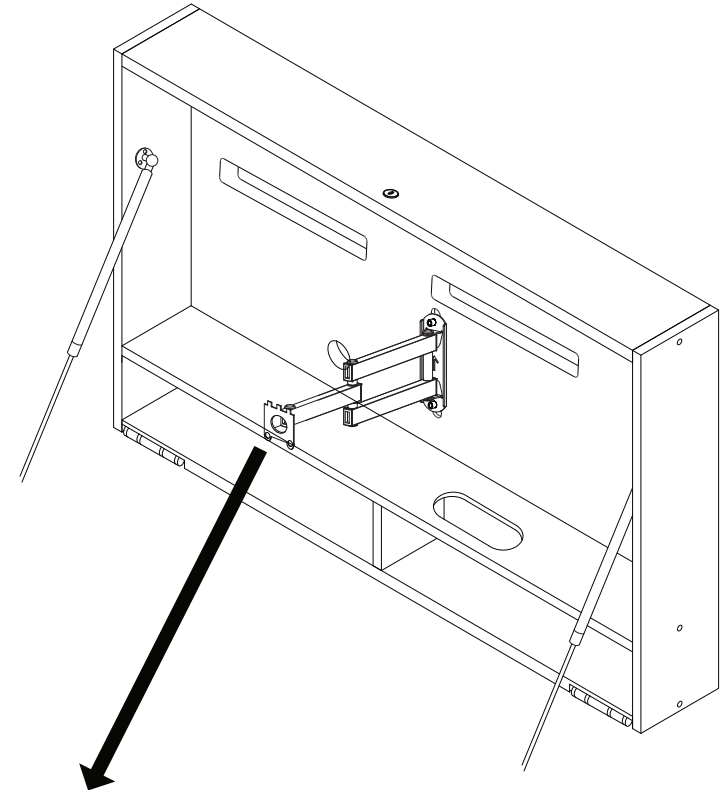
## Back View



Attach the Wall Plate & Articulating Arms-A to the VESA slot on the back of the DropTop, using the 2 x M6 bolts provided.

# 4

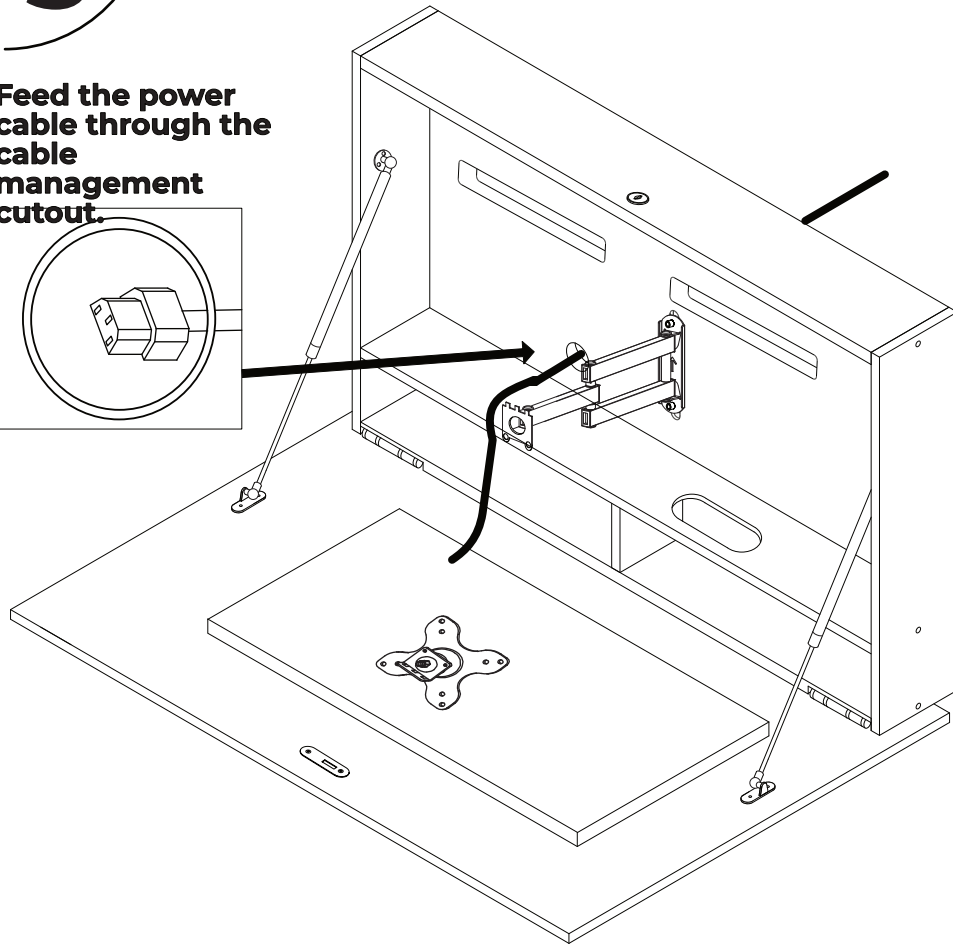
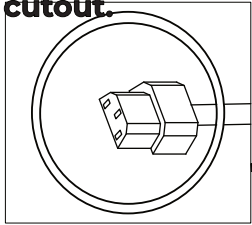
## Fully extend the articulating arms out.



At this step, ensure the extendable mount is positioned the correct way up, as shown in the illustration.

**5**

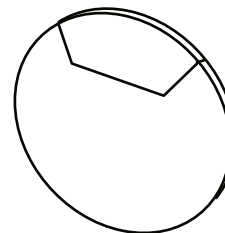
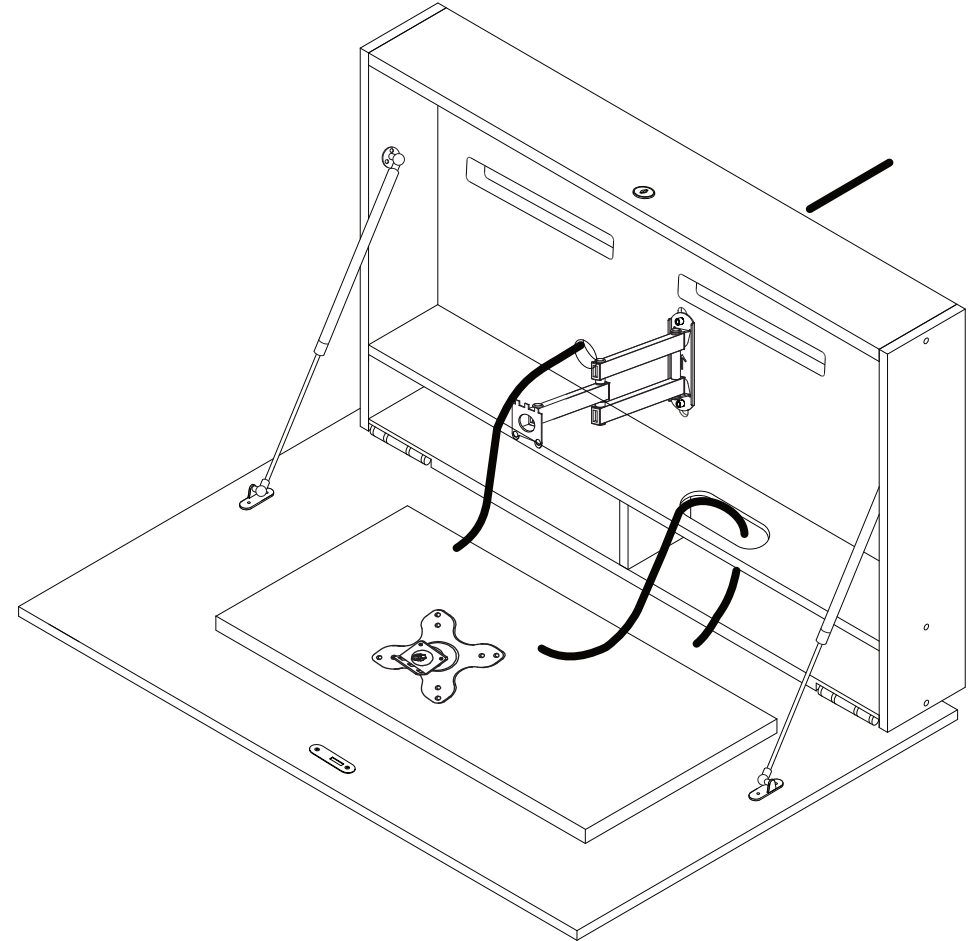
**Feed the power cable through the cable management cutout.**



**Place the monitor face down on the worktop. Feed the power cable through the round cable grommet at the back of panel B and plug it into your monitor.**

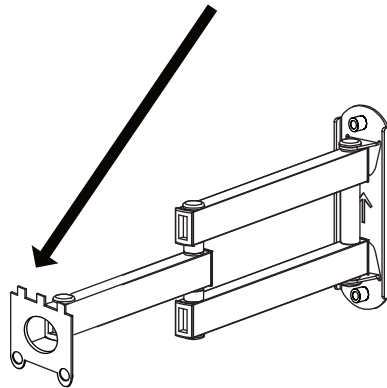
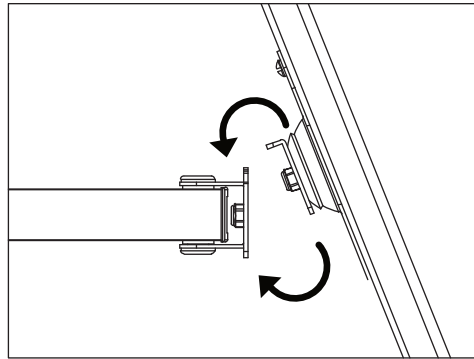
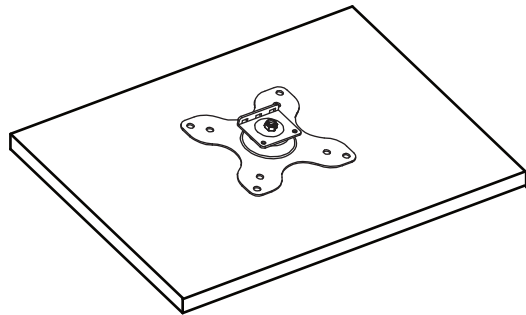
**6**

**Attach your selected cable to the monitor and pass it through the oval-shaped cable grommet on panel E.**



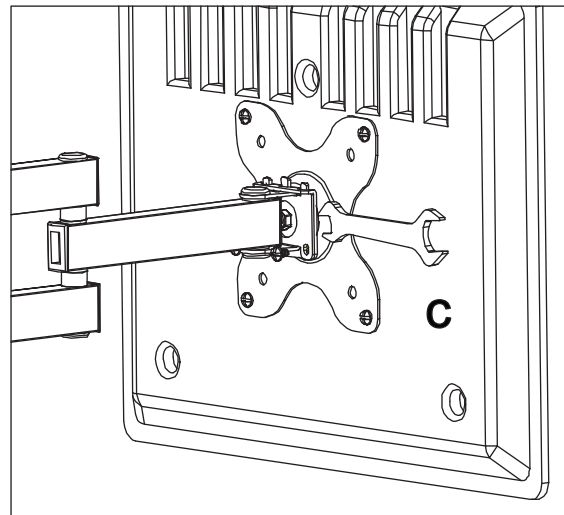
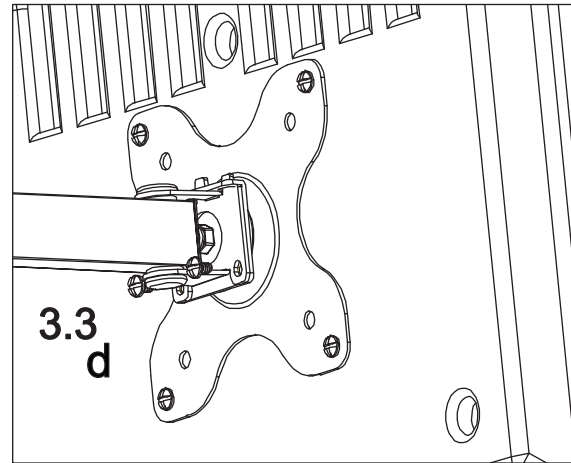
**After cabling, reattach the central section to the round cable grommet.**

**7**



**Hook the VESA Plate-b to the Socket on the fully extended arms.**

**8**

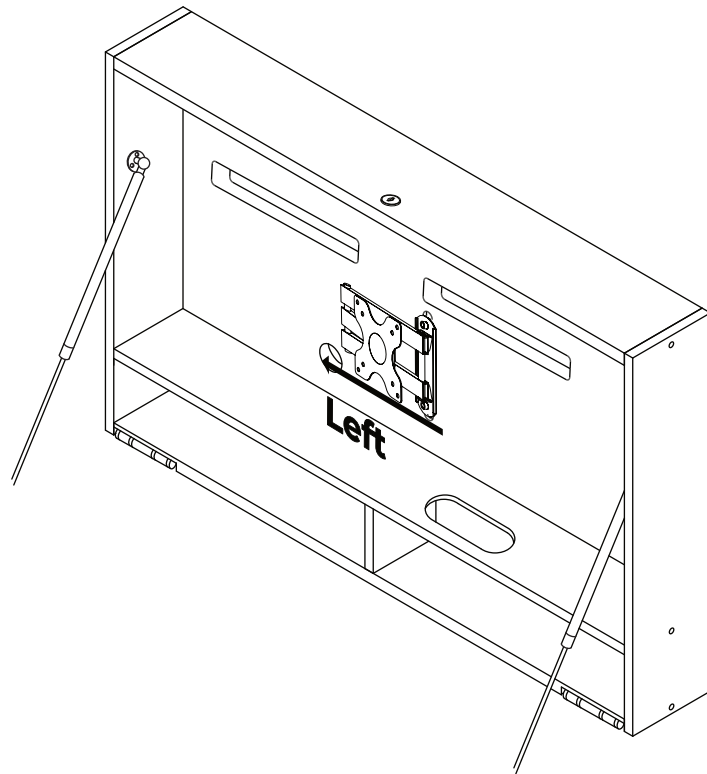


**E - Screws (2)**

**Secure the VESA Plate-b to the articulating arm using the provided screws from pack E.**

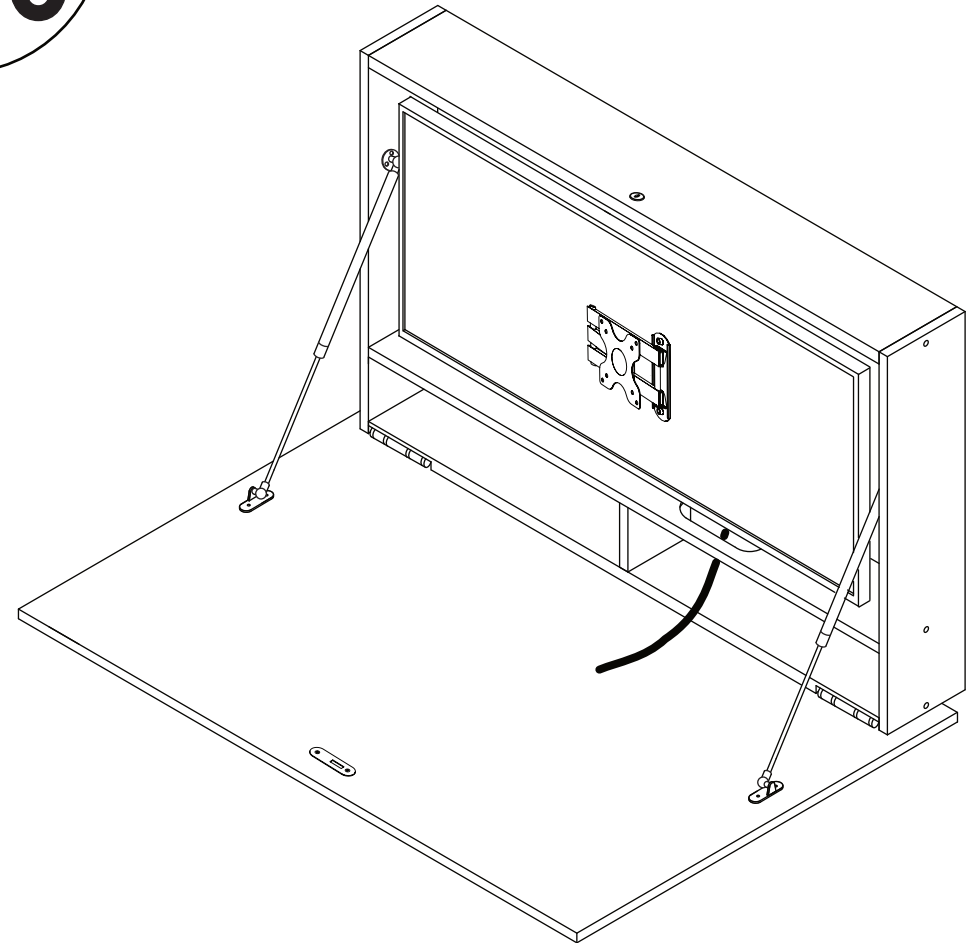
**Use the wrench provided to adjust the tilting angle of the VESA Plate-b.**

9



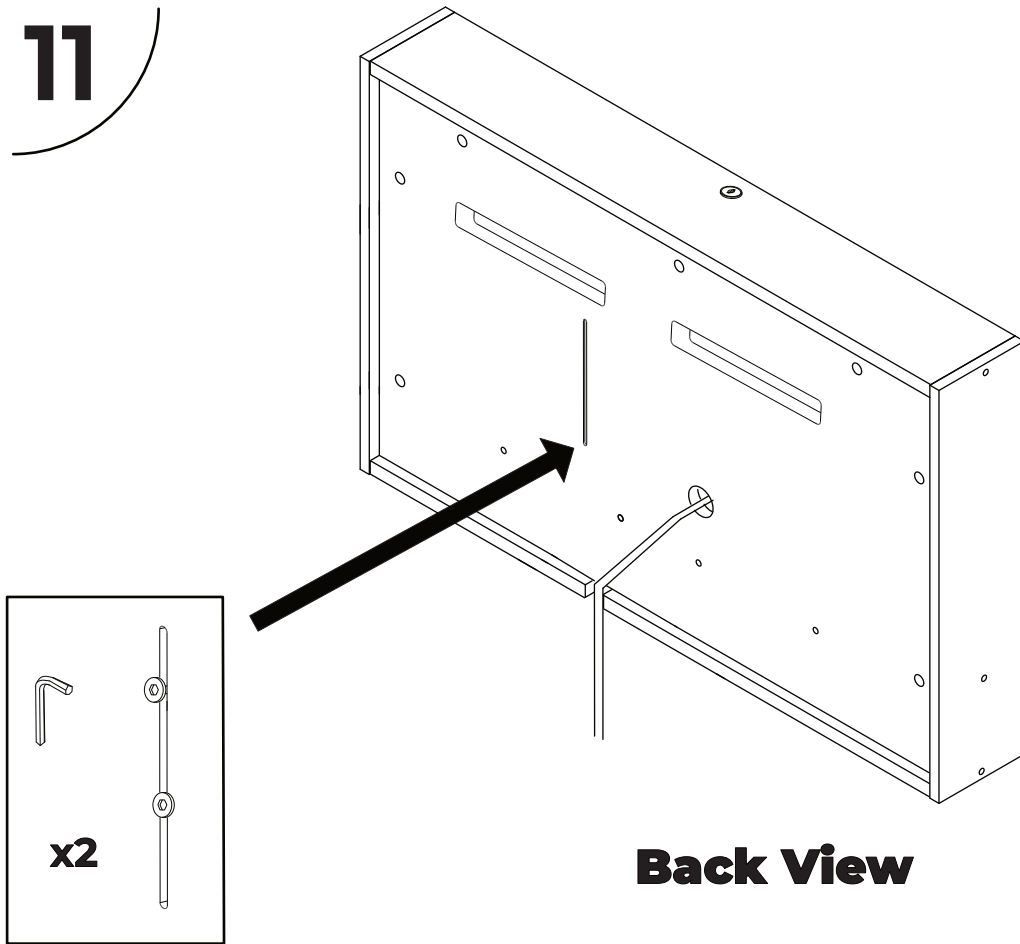
**The mount brackets should be positioned as indicated in the diagram to ensure proper and mounting of the monitors.**

10



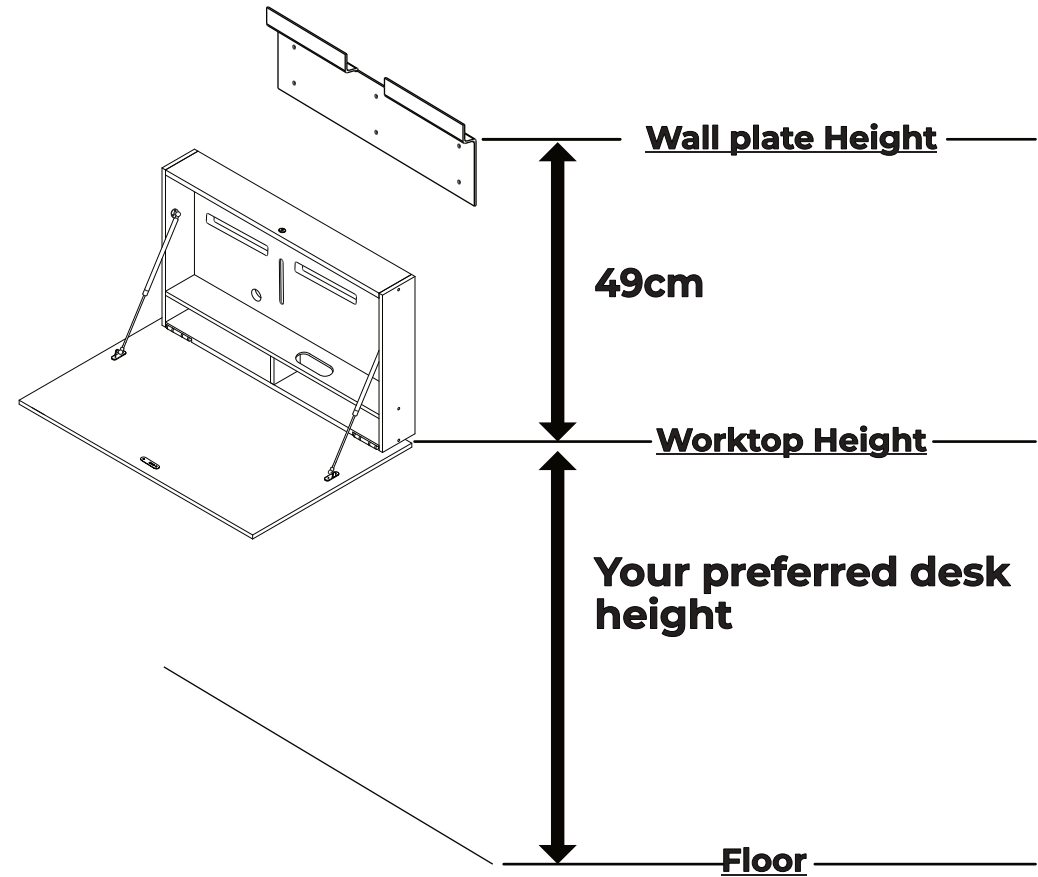
**Place your monitor into the DropTop™ monitor space, ensuring cables are properly routed through.**

11



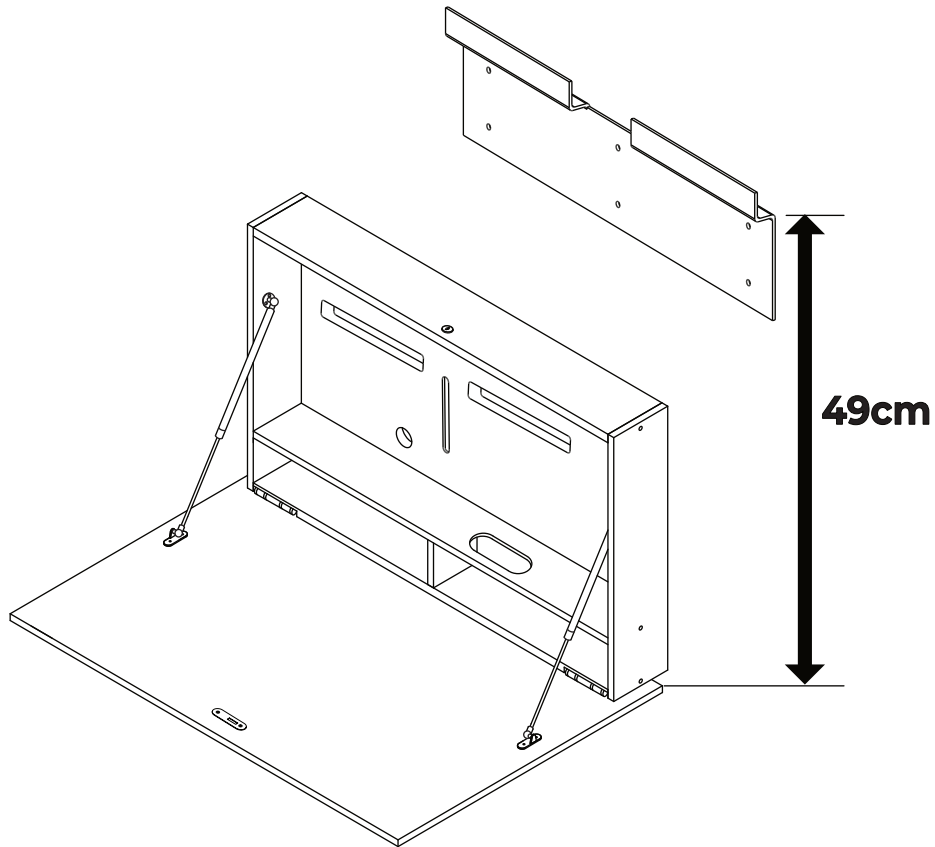
While securing the monitor from the front, slightly loosen the screws at the back and adjust the height as needed. Once the desired height is achieved, fully tighten the bolts to firmly secure the monitor.

## Mounting the Wall plate.

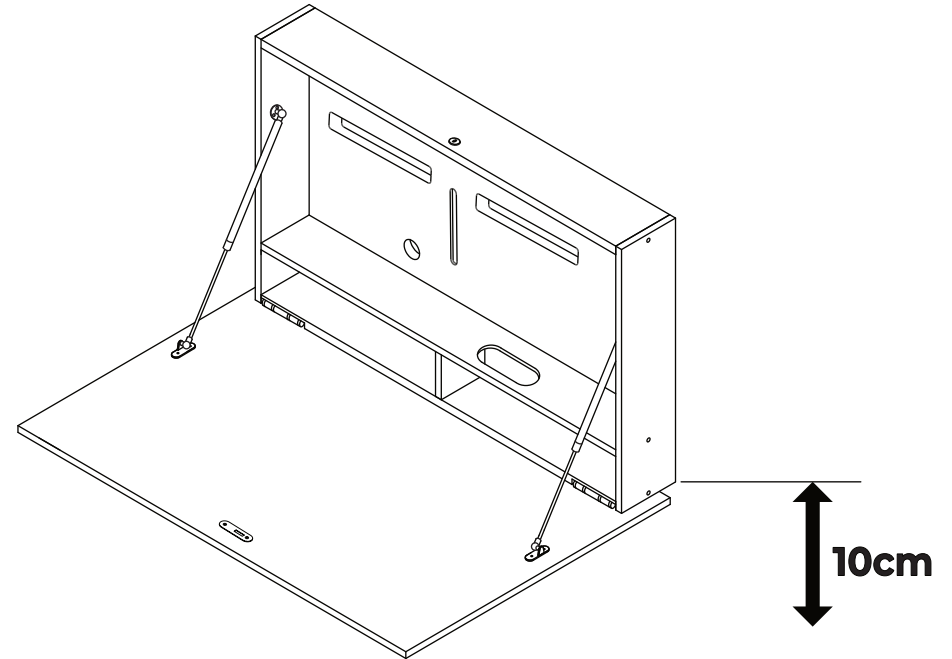


Your DropTop™ desk can be installed at any height that best suits your needs and preferences.

## DropTop™ Single Light Wall plate height



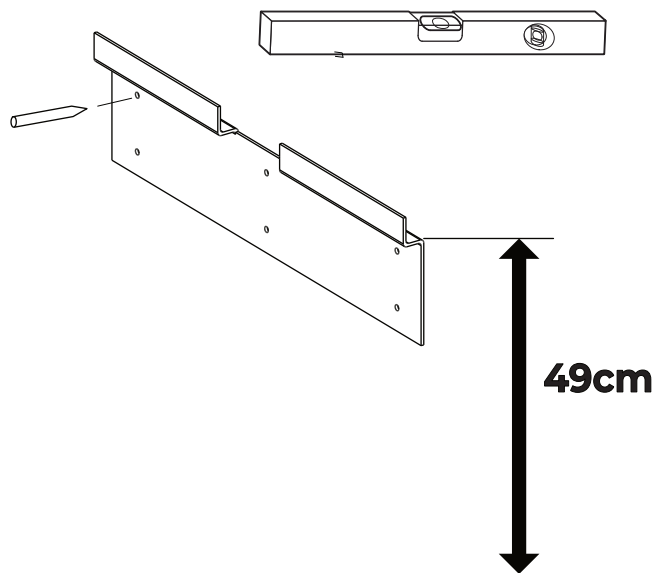
The height to install the wall plate should be measured from the top of the desired desk height to the top of the recessed area of the wall plate.



If you plan to mount the DropTop above an item, ensure there is 10 cm of clearance from the base of the DropTop™.

# Installing on a brick and concrete wall.

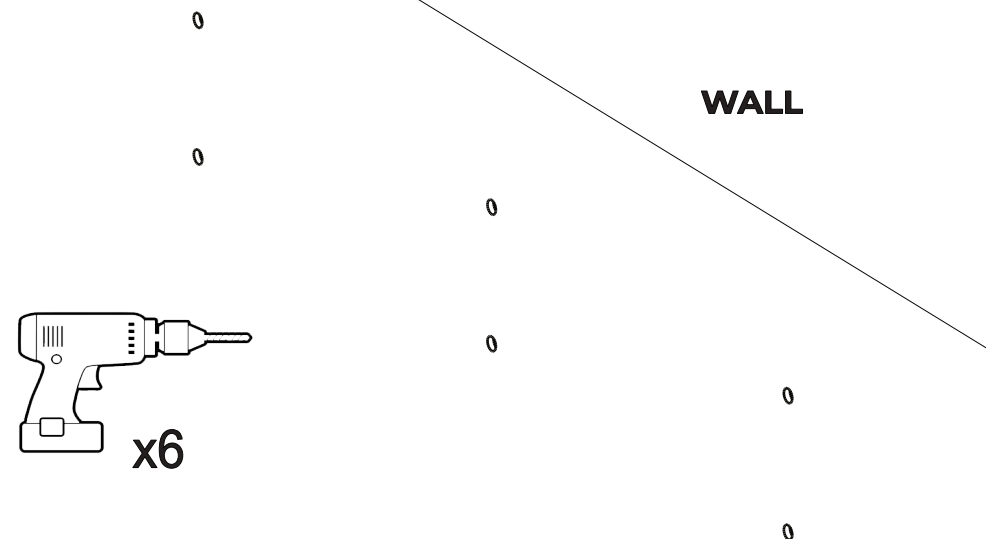
**1**



**Use the wall plate as a guide and mark the position of the fixing holes with a pencil.**

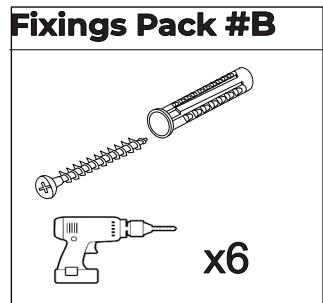
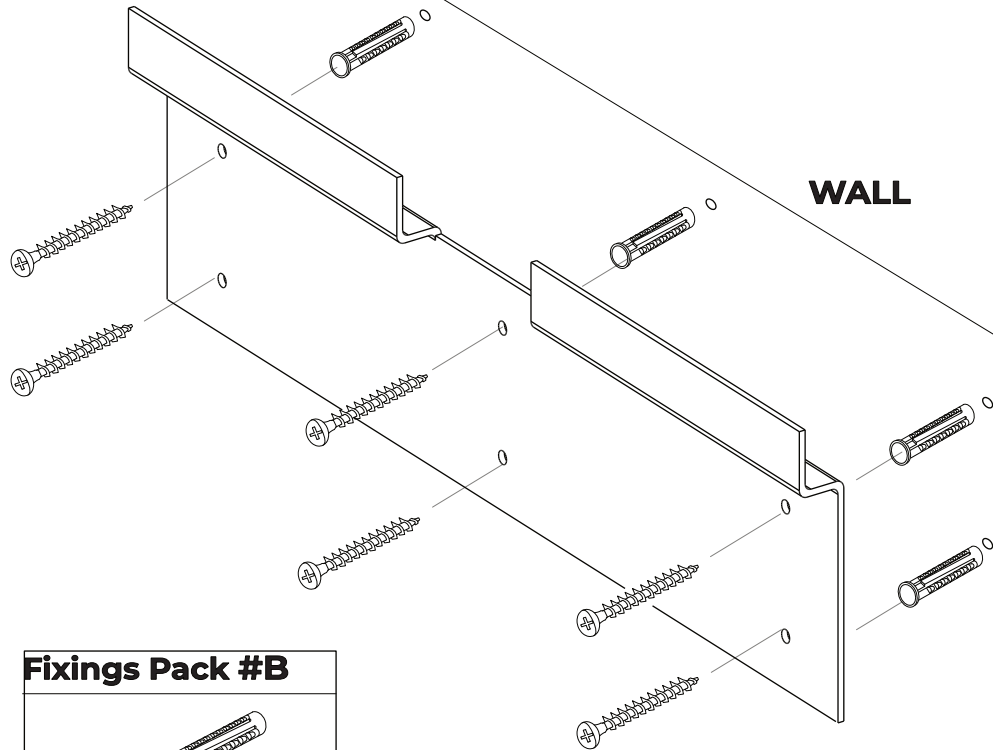
**The height to install the wall plate should be measured from the top of the desired desk height to the top of the recessed area of the wall plate as previously explained.**

**2**

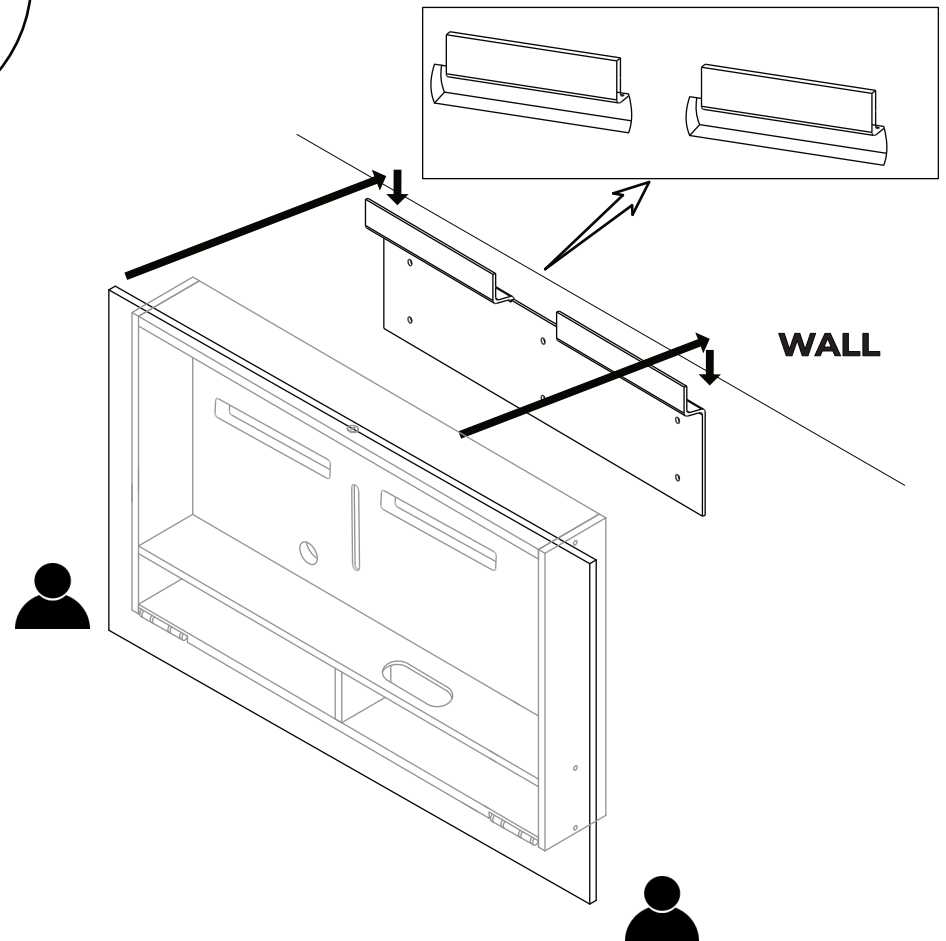


**Drill 6 x 8mm sized holes at a depth of 90mm (9cm).**

**3**



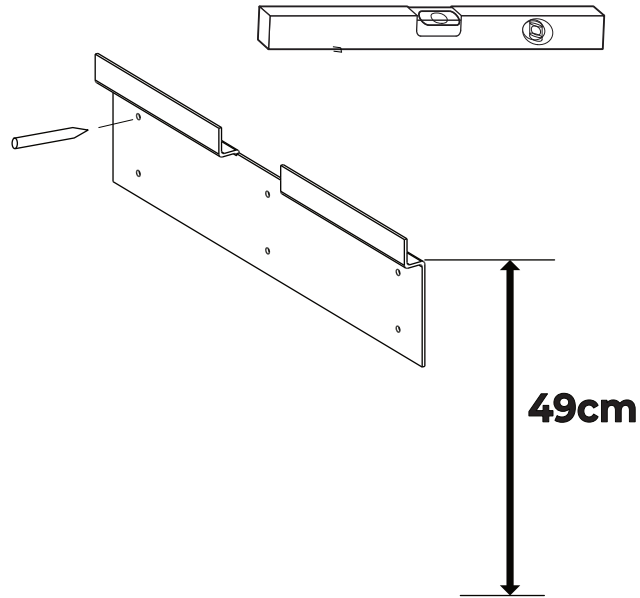
**4**



**To safely mount the desk, ensure that the DropTop™ is locked before lifting it onto the wall plate. The DropTop™ should fit snugly in the recess of the wall plate.**

# Installing on Plasterboard/Drywall.

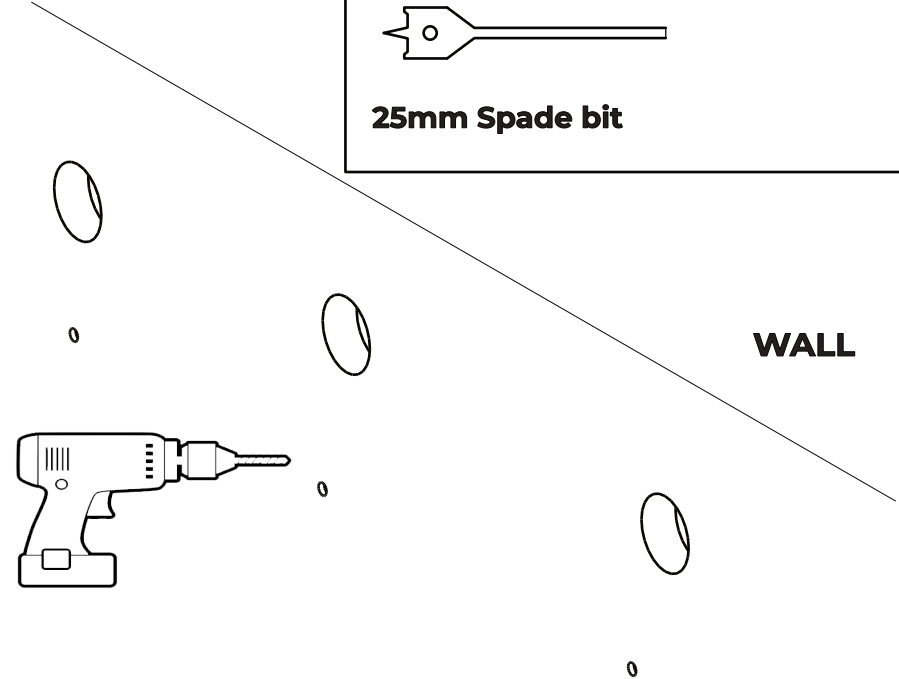
**1**



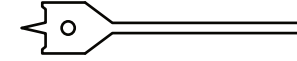
**Use the wall plate as a guide and mark the position of the fixing holes with a pencil.**

**The height to install the wall plate should be measured from the top of the desired desk height to the top of the recessed area of the wall plate.as previously explained.**

**2**



**Included  
Recommended tools**



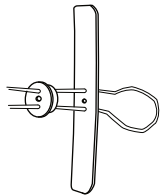
**25mm Spade bit**

**Using the 25mm Spade Bit, cut 3 holes of 25mm diameter centred on the top row of your wall plate pencil markings for the Geefix.**

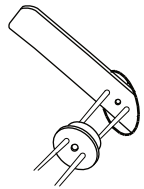
**Drill 3 holes of 8mm diameter for the wall plugs.**

# 3

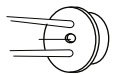
## GeeFix Fixings



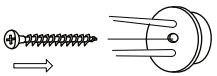
Assemble your GeeFix wall anchor system by threading the supplied pullcord through the round wall plug, the curved back plate, and back through the wall plug.



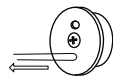
While holding onto the pullcord, feed the curved back plate into the hole and centre on the 25mm hole.



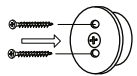
While keeping light tension on the pullcord slide the wall plug into the 1" hole to align with the holes on the back plate



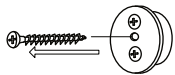
While keeping firm tension on the pullcord, screw the large screw into the centre hole until the GeeFix becomes firm, but do not over tighten. Keeping tension on the pullcord will keep the back plate in place during installation.



Pull out the pullcord but do not discard. You can use the same pullcord on additional GeeFix.

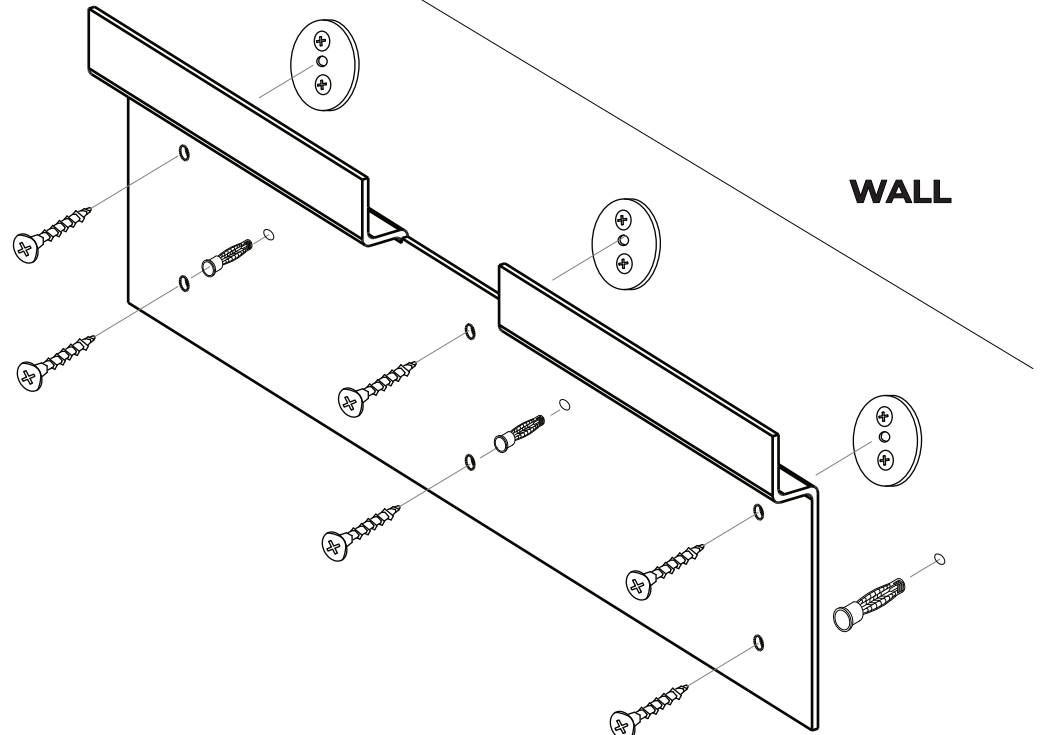


Screw in the 2 smaller screws on either side of the large screw and tighten until the GeeFix is firmly secured but do not over tighten.

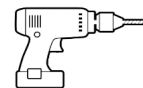


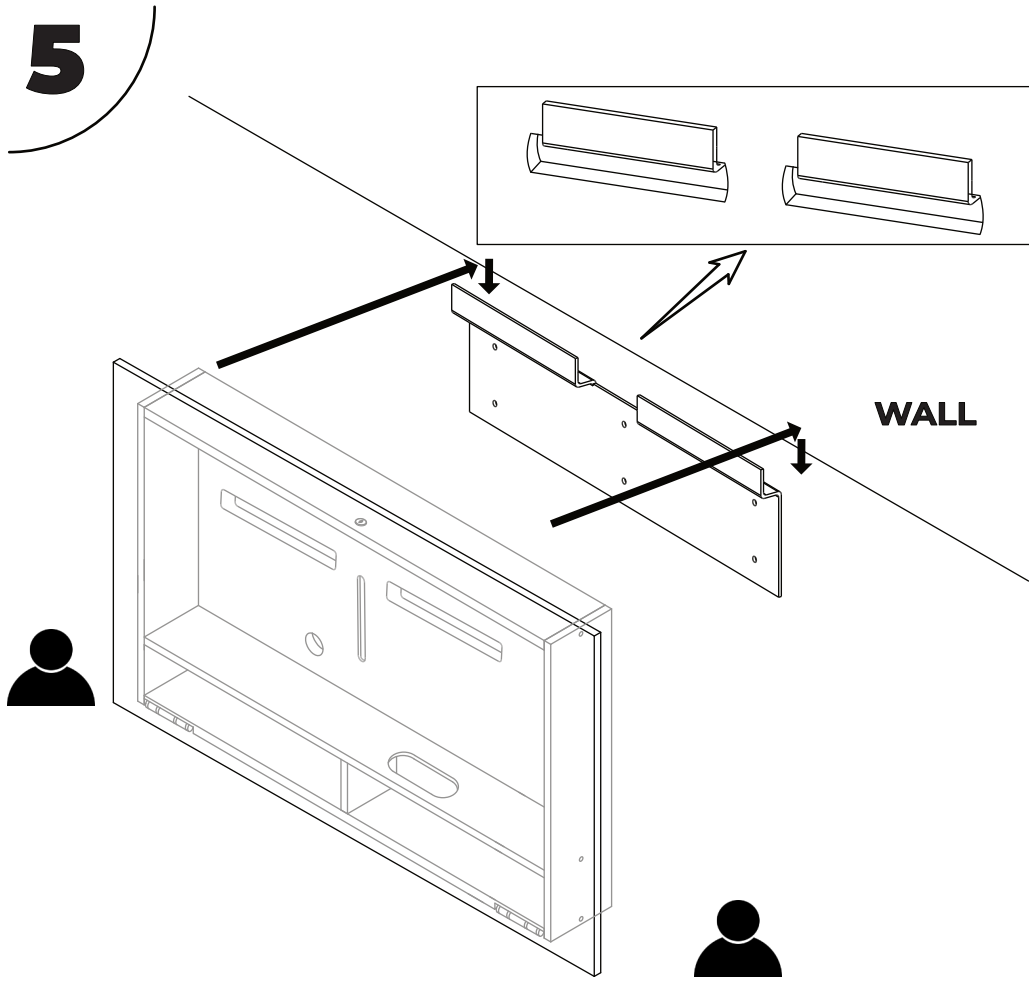
Remove the centre screw

# 4



### Fixings Pack #A



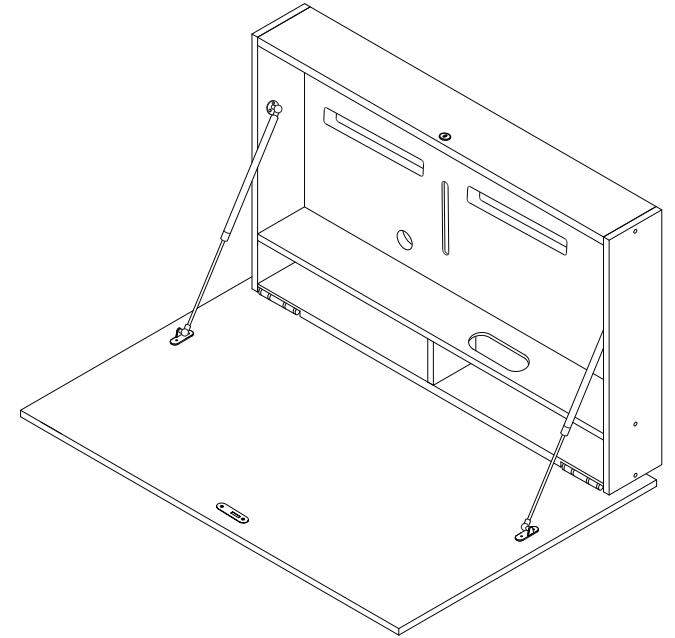


**To safely mount the desk, ensure that the DropTop™ is locked before lifting it onto the wall plate. The DropTop™ should fit snugly in the recess of the wall plate.**

# **DropTop™ Single 29 Light**

**Thank you for choosing to purchase your DropTop™ wall-mounted desk. We are delighted to have you as part of our community. You're taking a wonderful step towards improving your workspace and achieving a better work-life balance. We couldn't be more thrilled to support you in this journey.**

**Our team has put immense effort into designing and crafting the DropTop™ desk range to ensure it meets the highest standards of quality and functionality. We sincerely hope it transforms your workspace into a more productive and enjoyable environment.**



**[www.pithandstem.com](http://www.pithandstem.com)**